

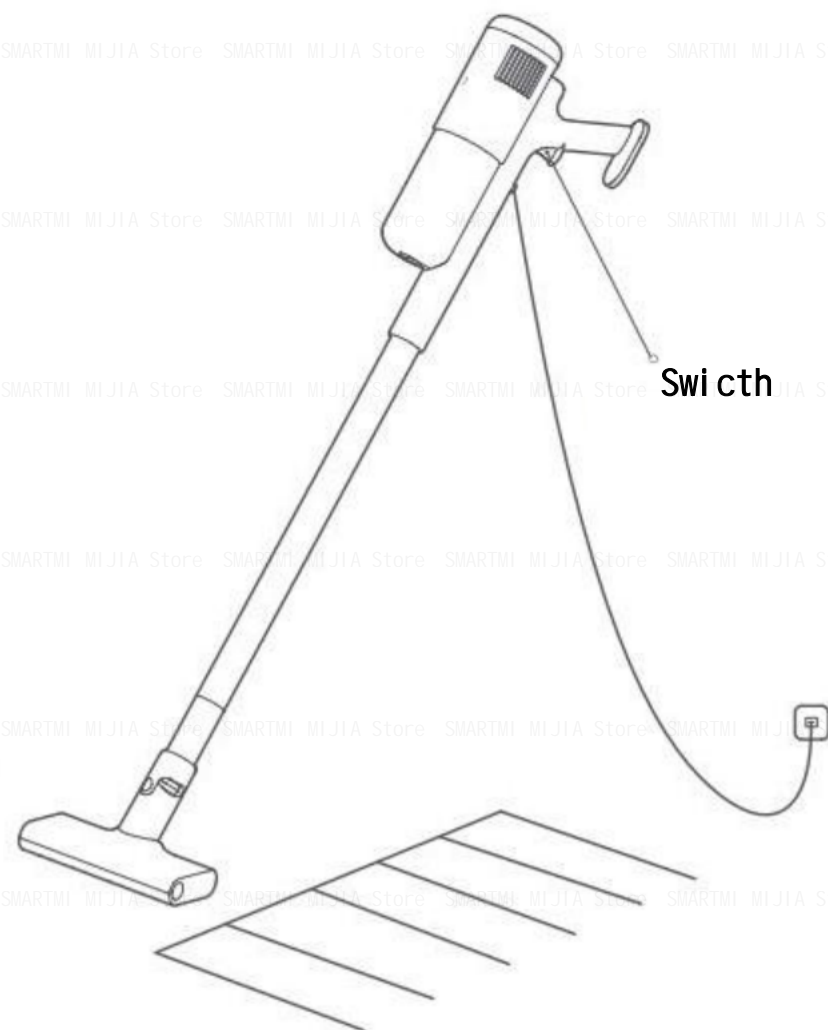
USE

Power on

- After the power is turned on, press the power switch and the vacuum cleaner will start to work.
- Hold the handle of the vacuum cleaner and push the floor brush back and forth on the floor to be cleaned to vacuum the floor. You can also connect the long flat suction head or brush suction head according to actual needs.
- In the Power on state, press the power switch to stop the vacuum cleaner.

Tip :

- When used for the first time, the air outlet of the main engine may have a slight odor, which is a normal phenomenon, and the odor will be automatically eliminated after a period of use.
- The floor brush is suitable for cleaning the dust of hard floor and short pile carpet; The long flat suction head is suitable for cleaning the dust in narrow gaps such as doors and windows, stair corners, corners, etc.
- The brush suction head is suitable for cleaning the dust of sofa seats, wall cabinets, and various workbench surfaces.



Care & Maintenance

WARNING: Before cleaning or doing maintenance on the vacuum cleaner, turn it off and unplug it.

Tip:

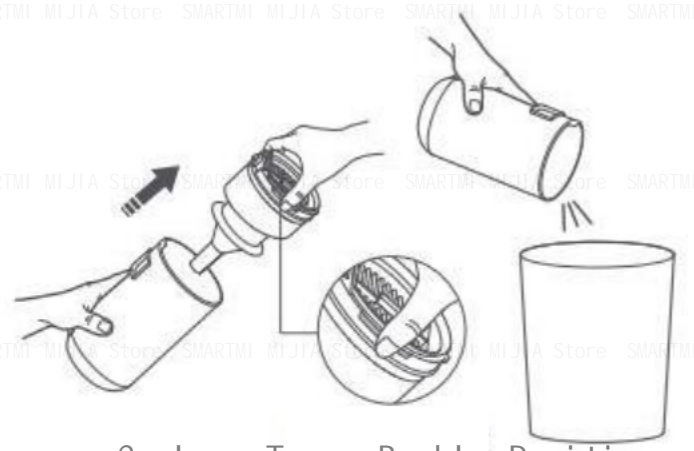
- Clean the dust compartment regularly to avoid the buildup of dust that could cause blockage and affect the suction. To prevent dust from falling on the floor, hold the dust compartment over a trash can to remove it.
- The whole machine cannot be immersed in water for cleaning.

Clean the dust cup trash

1. Press and hold the dust cup removal button and refer to the direction shown in the figure to remove the dust cup.

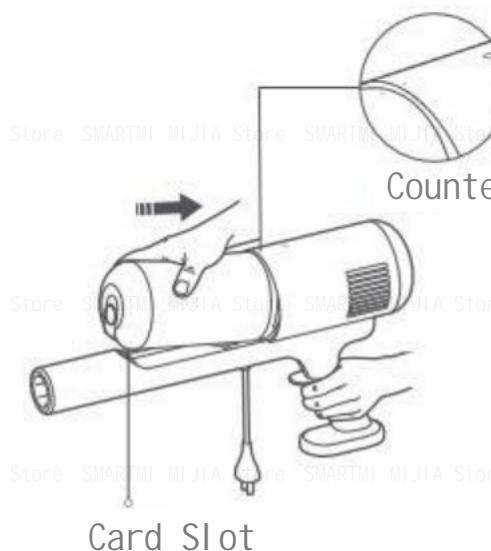
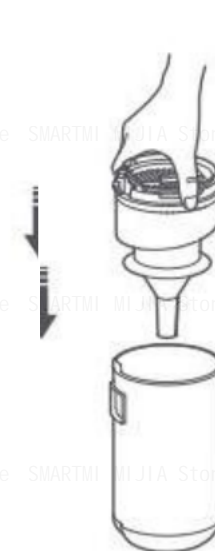


Dust Cup Removal Button



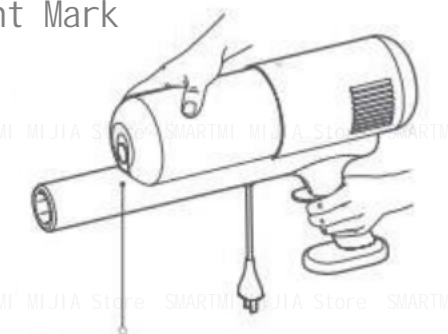
Cyclone Tower Buckle Position

3. When the cleaning is completed, install the cyclone tower back into the dust cup according to the slots of the dust cup and cyclone tower. Align the alignment mark of the dust cup with the alignment mark on the main unit, put in the installed dust cup assembly, align the dust cup removal key with the main unit slot, and then press down and tighten until you hear a "click".



Counterpoint Mark

Card Slot



Dust Cup Removal Button

Safety Instructions

This product is for household use only. Read this manual carefully before use, and retain it for future reference

.This appliance can be used by children aged from 8 years and above and persons with reduced physical, sensory or mental capabilities or lack of experience and knowledge if they have been given supervision or instruction concerning use of the appliance in a safe way and understand the hazards involved. Children shall not play with the appliance. Cleaning and user maintenance shall not be made by children without supervision

.The appliance is only to be used with the power supply unit provided with the appliance.

.This appliance contains batteries that are non-replaceable.

.If the power adapter is damaged, it must be replaced by a special cord or assembly available from the manufacturer or its service agent.

.The vacuum cleaner is not a toy. Children may not play with or operate this product. Please exercise caution when using the vacuum cleaner near children.

.Do not allow children to clean or maintain the vacuum cleaner unless supervised by a parent or guardian.

.Only use the vacuum cleaner on dry indoor surfaces. Do not install, charge, or use this product outdoors, such as in bathrooms, or near a pool.

.Do not touch the plug or any part of the vacuum cleaner with wet hands.

.To reduce the risk of fire, explosion, or personal injury, check to make sure the lithium-ion battery and charger are undamaged before use. Do not use the vacuum cleaner if either the battery or charger is damaged.

.The electric floor brush, extension rod, and the vacuum cleaner are electrically conductive and should not be immersed in water or other liquid. Make sure all parts are thoroughly dry after you carry out cleaning on them.

.To prevent injury caused by moving parts, turn off the vacuum cleaner before cleaning the Electric floor brush. The Electric floor brush, dust compartment, and filter must all be properly installed before using the vacuum cleaner.

.Do not use the vacuum cleaner to pick up flammable or combustible liquids, such as gasoline, bleach, ammonia, or drain cleaners; nor other liquids like water.

.Do not use the vacuum cleaner to pick up drywall particles, ashes like fireplace ash, or smoking or burning materials such as coal, cigarette butts or matches.

.Do not use the vacuum cleaner to pick up sharp or hard objects, such as glass, nails, screws, or coins, which may damage the product.

.Keep hair, loose clothing, fingers, and other parts of the body away from the vacuum cleaner's openings and moving parts. Do not point the suction opening, extension rod, or other accessories at your eyes or ears or put them in your mouth.

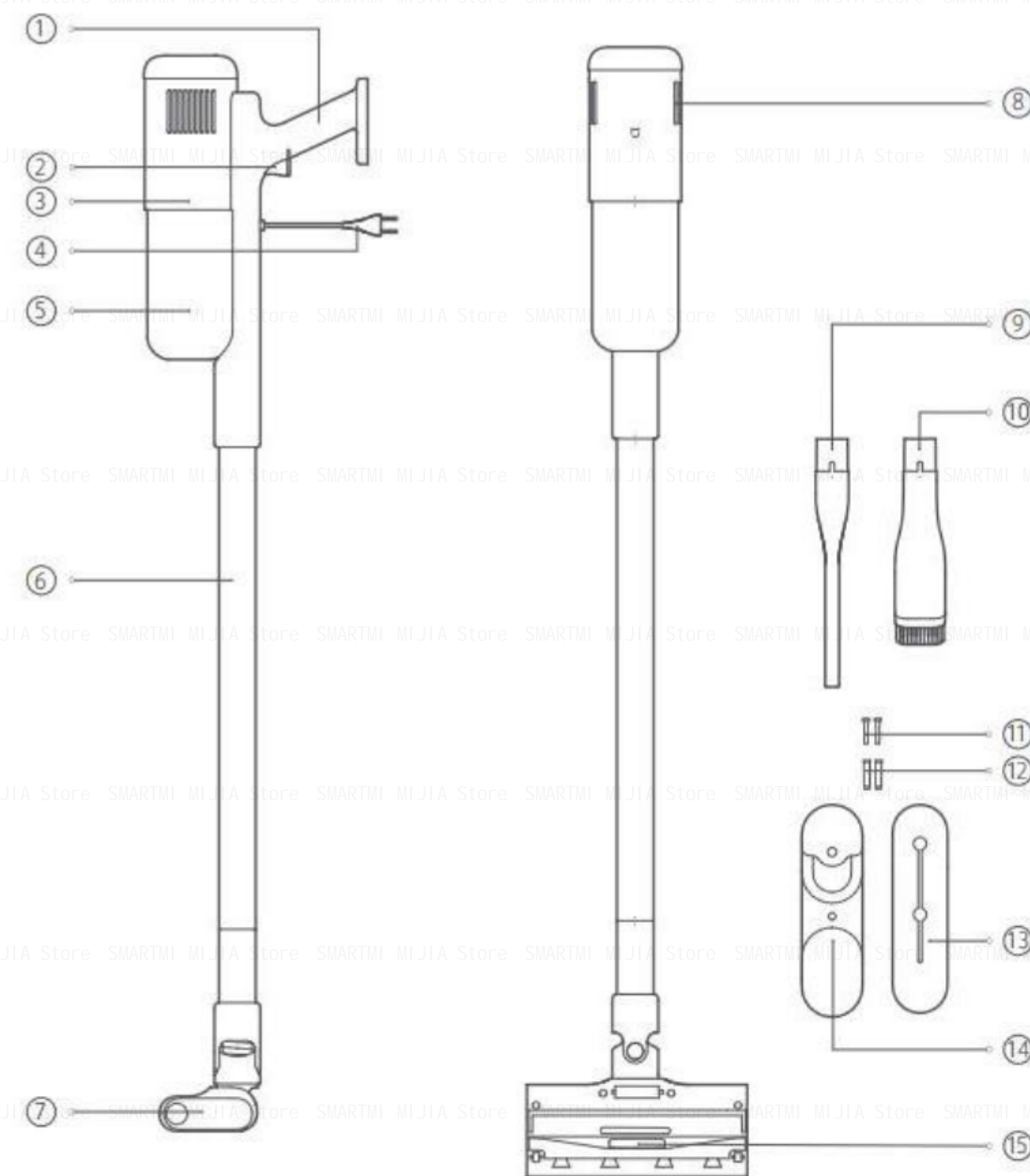
Tip:

The product, accessories, user interface and other illustrations in the manual are schematic diagrams for reference only. Due to the update and upgrade of the product, the actual product and the diagram may be slightly different, please refer to the actual product.

Product Overview

Package Contents

Vacuum cleaner	Flat nozzle	Floor brush	Expansion tube×2	Screw×2
extension tube	Long nozzle	Storage bracket	Locator sticker	manual



- | | | | |
|-----------------|--------------------|--------------------|--------------------|
| ① Handle | ⑤ Dust Compartment | ⑨ Long nozzle | ⑬ Locator sticker |
| ② On/Off Button | ⑥ Extension Rod | ⑩ Flat nozzle | ⑭ Storage bracket |
| ③ Host machine | ⑦ Floor brush | ⑪ Screw×2 | ⑮ Floor brush Port |
| ④ Power cord | ⑧ Air outlet | ⑫ Expansion tube×2 | |

Care & Maintenance

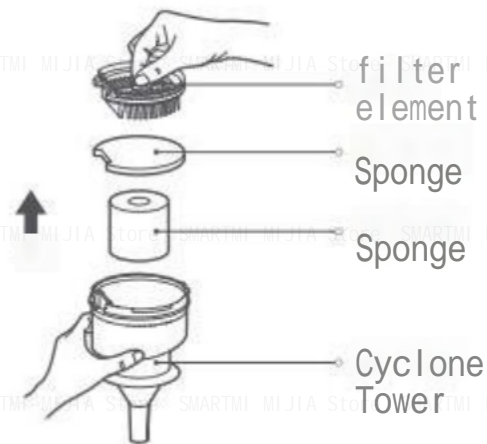
Cleaning the Dust Compartment & Filter Assembly

Tip: When you feel that the suction power is weakened, please clean the dust cup assembly in time to avoid affecting the vacuuming effect.

1. After the cyclone tower and dust cup are separated, take out the filter element, upper sponge, and lower sponge from the cyclone tower in sequence according to the direction shown in the figure.

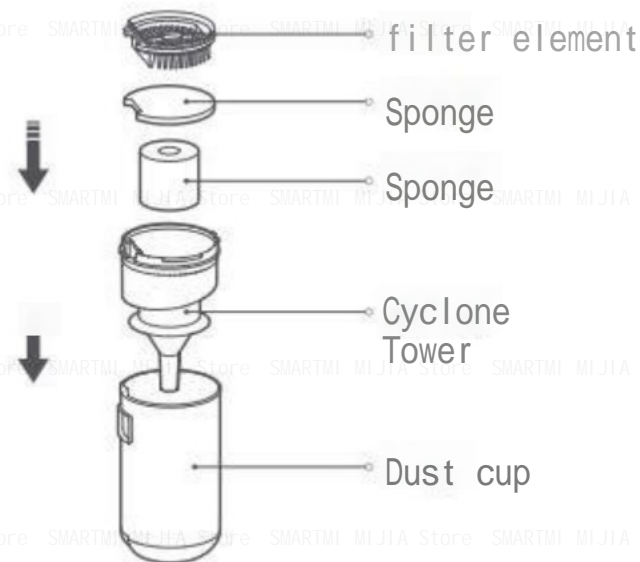
2. Remove the dust on the surface of the dust cup, cyclone tower, filter element, upper sponge, and lower sponge, and then rinse with clean tap water. After rinsing, dry well to ensure complete dryness.

Tip:
 · It is recommended to beat the filter element to clean the dust after each suction.
 · It is recommended to clean the filter element after every 5-6 vacuuming, or adjust it according to the use.
 · It is recommended to replace the filter element every 2-3 months to ensure the effect of vacuuming.



3. After cleaning and drying, install the components one by one according to the card slots shown in the sequence shown in the figure. Ensure that all components are properly installed.

Tip: After washing all parts, be sure to dry thoroughly (avoid exposure to the sun) before installing.

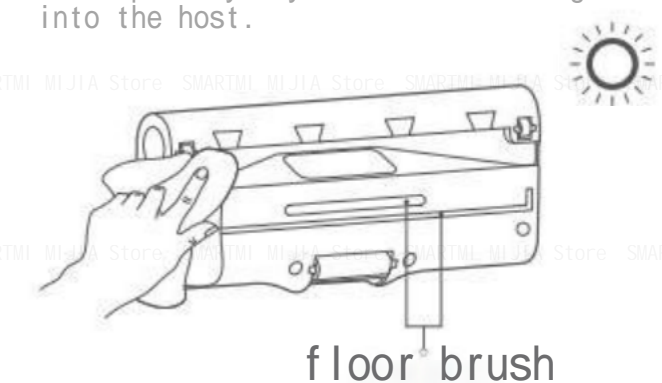


Clean Long nozzle and Flat nozzle Clean floor brush

After using the Long nozzle and Flat nozzle, remove it from the main unit and clean it with clean tap water. After rinsing, dry it thoroughly to ensure it is completely dry, and then install it back into the main unit or put it back in the packaging box.



After the vacuum cleaner is finished working, disassemble the floor brush, clean the hair and fiber material attached to the bristles of the floor brush, and wipe the surface of the floor brush and the suction port of the floor brush with a clean damp cloth. After cleaning is completed, dry it thoroughly to ensure it is completely dry before installing it back into the host.



Tip: Please use a dry cloth when cleaning the main unit and extension tube. Do not use chemical solvents such as gasoline, alcohol, banana water, etc., otherwise the shell will crack or fade.

Troubleshooting

Issue	Possible Cause	Solution
The vacuum cleaner does not work	Power Cable is not plugged correctly	Plug the power cable properly
	There's no power in the electrical outlet	Check that the power outlet can supply power properly
	Vacuum Cleaner power switch is not turned on	Turn on the vacuum cleaner power switch correctly
Suction weakens	Motor failure	Contact after-sales
	The dust cup is full	Clean the dust cup
	The suction port of the floor brush or the air duct of the extension pipe is blocked by foreign matter.	Clean floor brush or extension tube
Excessive noise	The filter element is clogged or not fully dried after cleaning.	Clean the filter element and dry it thoroughly
	The dust cup is full	Clean the dust cup
	The suction port of the floor brush or the air duct of the extension pipe is blocked by foreign matter.	Clean floor brush or extension tube

Notice:

·If a malfunction occurs during use of the vacuum cleaner, please turn off the vacuum cleaner first and cut off the power supply before handling the problem.

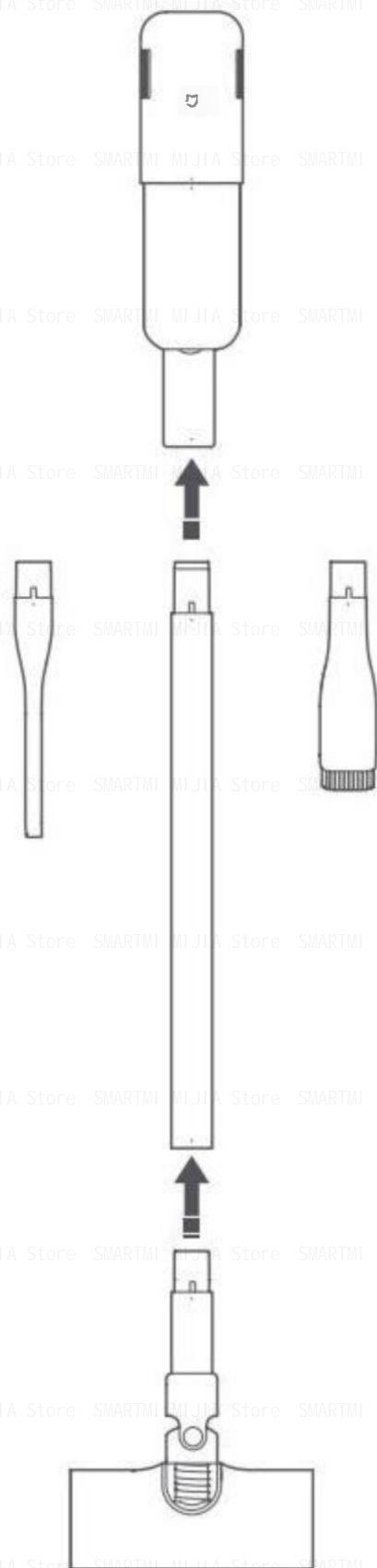
·Please handle it by yourself according to the above method. If the problem is not solved yet, please contact after-sales service.

Install

Install the host and accessories

•Tip:

- The main unit and the extension tube, the extension tube and the floor brush, and the main unit and the long flat suction head or brush suction head are installed according to the alignment marks.
- Brush suction head and long flat suction head are not recommended for connection with extension tube.
- Be sure to check the installation is in place.



Installation and use of storage bracket

1. Ensure that the bottom of the positioning tape is 90-92cm away from the ground. Tear off the transparent coating surface of the positioning tape and paste it to the pre-installation position on the wall. Then drill two holes with a diameter of 6mm according to the holes on the positioning tape and drive into the expansion tube.
2. Tear off the white coated surface of the positioning tape, align the holes in the storage support with the expansion tube and attach them to the positioning tape, insert two screws, and secure the storage support to the wall.
3. When not in use, place the handle of the vacuum cleaner into the host storage slot of the storage support. The floor brush is horizontally attached to the ground, and the power cable is wrapped around the power cable storage rack.

Tip:

- The positioning stickers are only used to assist the positioning and installation of the storage bracket, and the storage bracket cannot be fixed separately.

Host storage slot

Power cord storage rack

