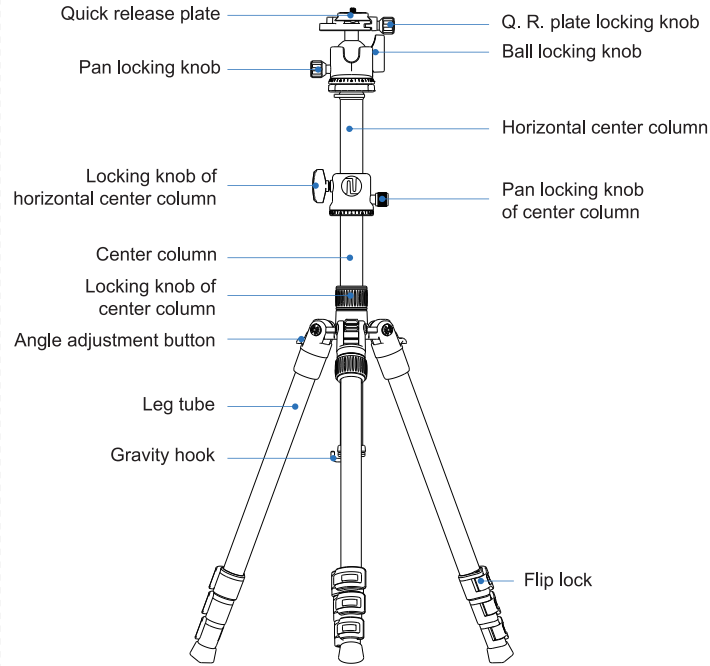
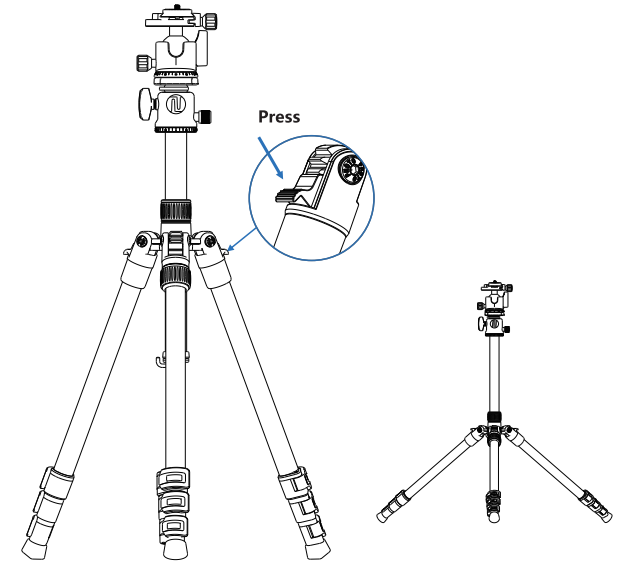


PRODUCT COMPONENTS



LEG ANGLE ADJUSTMENT

Each leg of the tripod can be adjusted to three different angles to meet different shooting requirements. As shown in the direction in the figure, press and hold the angle adjustment button, then push the leg to the corresponding angle, finally release the adjustment button.



Note:

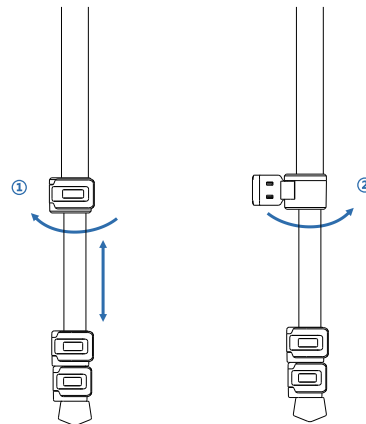


1. Do not exceed the maximum specified load (refer to individual product descriptions).
2. When using the product, please try to lock the central column and operate in safe conditions.
3. Do not use in temperatures below -40 degrees Celsius or higher than 100 degrees Celsius.
4. When used in watery / sandy / dusty environments, keep the product dry and clean. This tripod is not recommended for use in seawater.
5. Never leave the tripod out in the sun for extended periods of time.
6. Operate the tripod carefully in dangerous environments.
7. Use a mild detergent and a soft towel to clean the dust and sand from the locking system and sliding parts.
8. Unless there is a need, this device does not need lubrication on a regular basis. If you deem that it does, use standard lubricating oil.
9. Keep the tripod away from electricity.

The Company reserves the product upgrades and power due to product upgrades and changes to various parameters without notice. If there are printing, translation, or omissions from the manual, WEYLLAN accepts no responsibility.

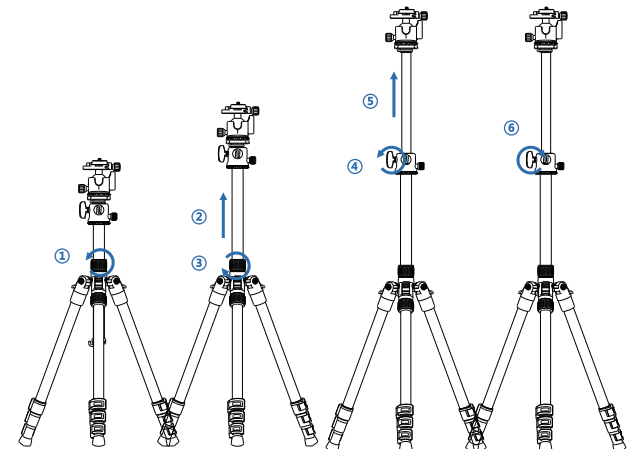
EXTEND THE LENGTH OF TRIPOD LEG

Open the flip lock in direction ① as shown in the figure, and then pull out the leg tube to the desired length, close the flip lock back in direction ② as shown in the figure to lock it.



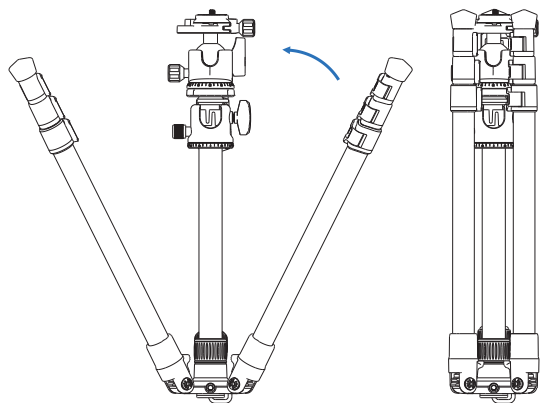
LIFTING THE CENTER COLUMN

Release the locking knob of center column in direction ① as shown in the figure, lifting the height of the first section of the center column in direction ②, and lock the knob in direction ③; rotate and release the locking knob of horizontal center column as ④, adjust the height of the horizontal center column in the direction ⑤, and lock the locking knob in the ⑥ direction.



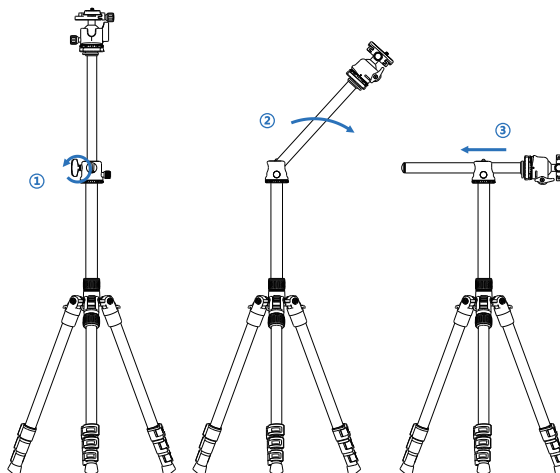
FOLDING THE TRIPOD

After all the leg tubes are retracted and locked, press and hold the angle adjustment button, at the same time, fold up this leg until it close to the center column, repeat this operation on other legs, adjust the direction of each knob to avoid interference with the legs.



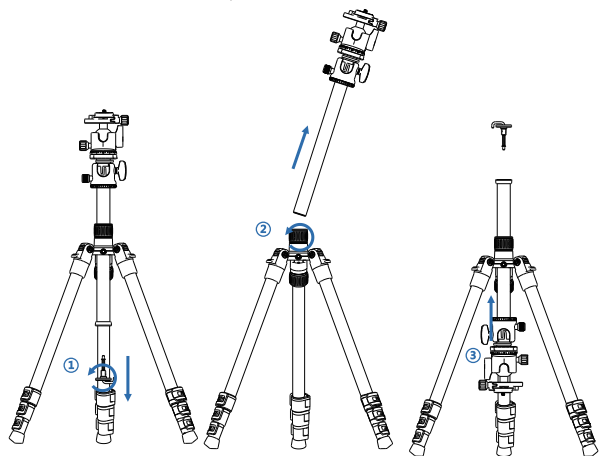
HORIZONTAL CENTER COLUMN

Loosen the locking knob of horizontal center column in direction ① as shown in the figure, raise the horizontal center column to its highest position and then lay down in direction ②, insert the center column in direction ③ and tighten its locking knob.



INVERSION OF THE CENTER COLUMN

Loosen and remove the gravity hook in direction ① as shown in the figure, then unlock the center column in direction ②. Remove the center column and install it in direction ③, lock the center column and finally install the hook back to complete the inversion installation.



WARRANTY CARD

Name: _____

Tel: _____

Address: _____

Description of malfunction: _____

(please write down neatly, thanks for support)

Merchant: _____

Tel: _____

Product model: _____

Purchase Date: _____

Stamp sales: _____

MAINTENANCE RECORDS

Date for report: _____

Records for checking: _____

Maintainer: _____

Date for returning: _____

Tracking No. for returning: _____