

NO.640

User Manual



RoHS CE

Thank you for choosing our Metal Detector 640. Please read this manual carefully and become familiar with the function of 640 before use. After reading, please keep it safe for future reference.

TIPS

1. 640 is used for outdoors. There are too many interference indoors.
2. In the higher sensitivity range, the detector will be more sensitive to the electromagnetic interference. By reducing sensitivity you can get rid of interference.
3. When detecting, move the search coil at a constant speed. Let the search coil be parallel with the ground and about 1/2 inch from the surface, do not to swing it like a pendulum.
4. The depth indication is basically accurate for coin-sized objects. Large objects or irregularly-shaped objects will reduce accuracy, but can still be used as a reference.
5. Most of the valuable metal objects will send consistent signals. If the signal isn't consistent, it's mostly a false signal.

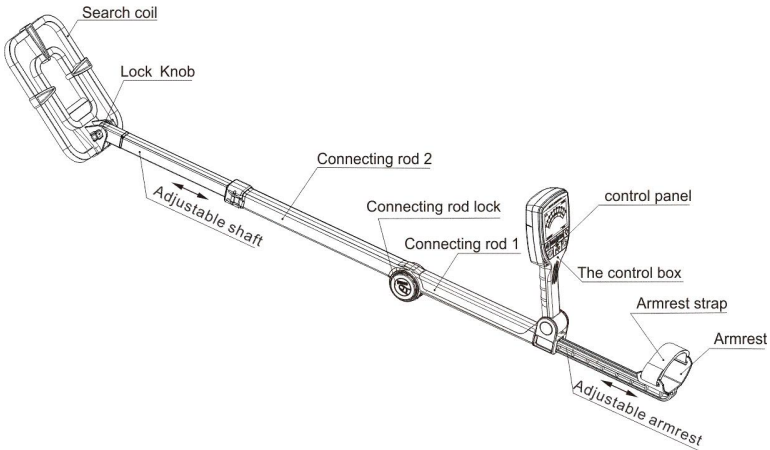
SPECIFICATIONS

- Operation Mode: 5+1
Motion Mode: SENS,DISC,NOTCH,A-M,VOL
Non-motion Mode: PINPOINT
- Coins Depth Indication: 1-8
- Sensitivity Control: 8 grades
- Target Metals Discrimination: 9 kinds
0 to 99 double digits
- Signal Strength Indication: 8 grades
- Sound Frequency: 3 kinds of frequency indicating different

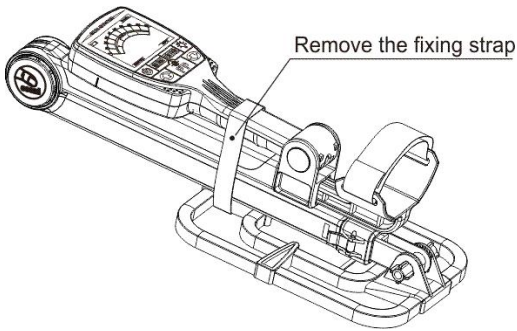
metals

- Volume Indication: 4 grades
- LCD Backlight: White (can switch on and off manually)
- Battery Indication: 3 grades
- Automatic shut-down: It will shut down automatically in about 15 minutes without any operation.
- Memory: The user settings at shutdown will be maintained after each shutdown:(Sensitivity、DISC、NOTCH、VOL)
- Search Coil: waterproof search coil
- Earphone Jack: 1/8 inch earphone jack (earphone not supplied)

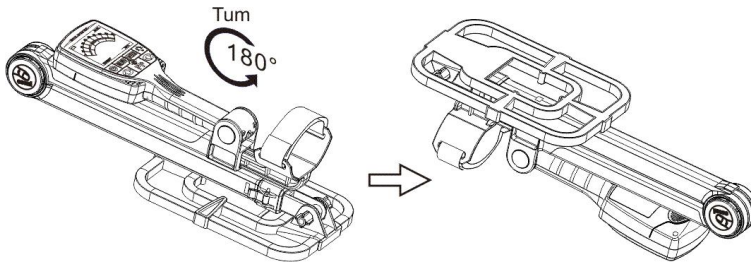
SET UP



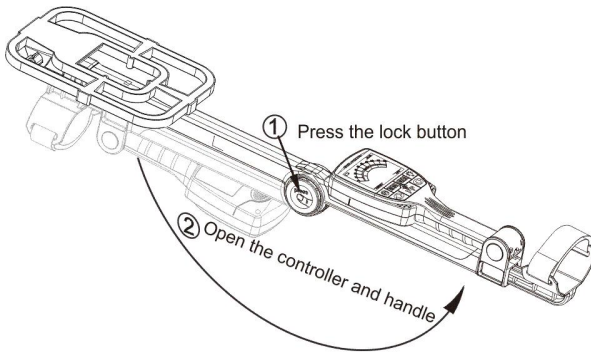
STEP 1. Your 640 detector requires no assembly or tools. Simply removes the detector from the box.



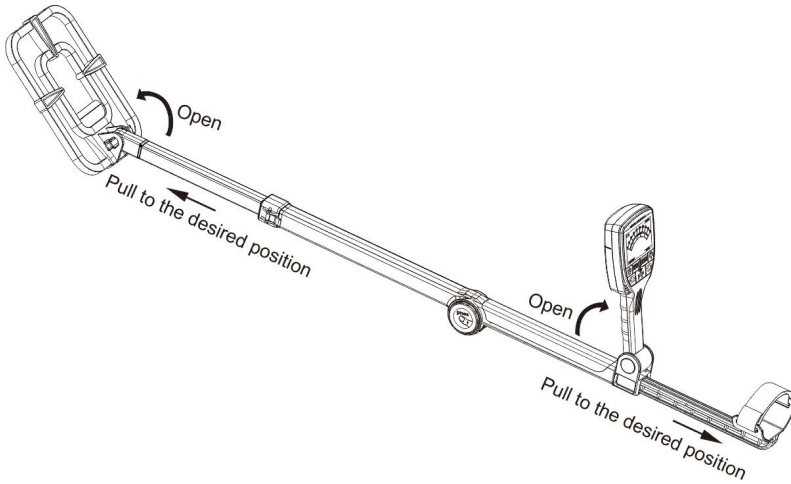
STEP 2. Turn the detector 180 degree as shown in the figure.



STEP 3. Press down the UNLOCK button to release the handle.



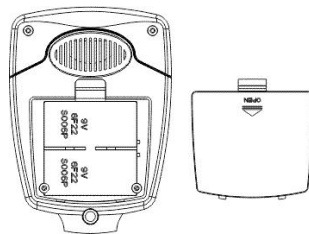
STEP 4. Slide out the armrest to the desired length (typically just under your elbow). And fully extend the lower shaft to the desired length,for your height.



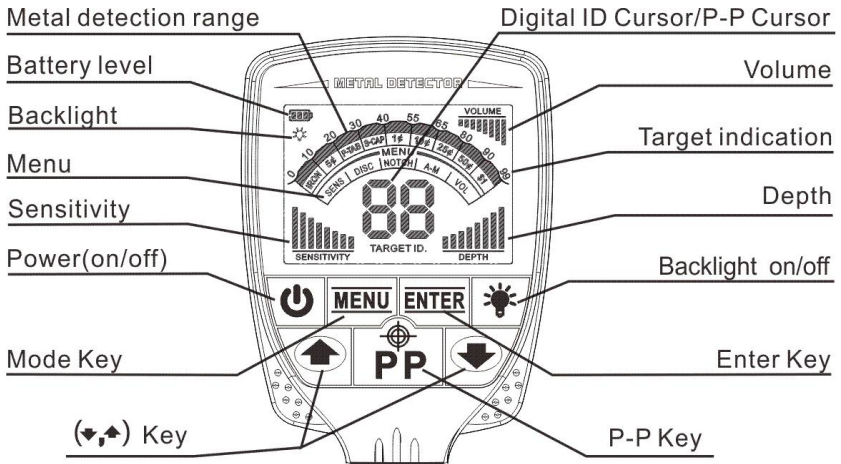
BATTERY

Please use two 9V alkaline battery.

Open the battery cover and install the battery according to the polarity sign in the battery box.If you are not going to use the detector for a long time,please remove the battery from the battery case.



PANEL(LCD and Button)



LCD

- Mode Cursor: indicate the operation mode, altogether divided into five kinds.
- Target ID Cursor: divided into 9 categories. it is used to indicate the target metals.
- Digital ID Cursor/Pinpoint Cursor: two digits of 01 to 99 accurately indicate the metal material. it also acts as a P-P cursor, when P-P showing, it enters the pinpoint mode.
- Coin Depth Cursor: divided into eight grades. indicates the approximate depth of 25¢ silver coin in neutral soil.
- Signal strength cursor: indicates the signal strength when in the pinpoint mode.
- Volume cursor: indicates the volume.
- Sensitivity indication cursor: divided into eight grades, sensitivity is highest when all cursor light.
- Battery power cursor: divided into three grades, indicating battery power. When the battery level number is 0, which means the battery should be replaced.

Button

- POWER button:

1. Power button: on/off power.

2. MENU button:

Press the MENU button, cycle selection in five ways.

SENS:Sensitivity adjustment. In this mode, press ↑ and ↓ to adjust the sensitivity.

DISC: Discrimination mode, In this mode, press the ↑ key and ↓ you can eliminate certain metals in order from left to right (The three types of metals on the far right cannot be eliminated), Then the detector will not react to it.

NOTCH:In this mode, press the ↑ key, ↓ key and ENTER key, you can arbitrarily remove the metal types you do not need, and then the detector will not react to them.

A-M:In all-metal mode, the detector will respond to all metals.

VOL:Volume adjustment. In this mode, press the ↑ key and ↓ key to adjust the volume of the whole alarm.

3. Backlight button: switch on/off backlight.

- P-P button: Press the "P-P" button, and the detector will convert to PINPOINT mode, to locate the target accurately. Press the "P-P" button once again, to exit the PINPOINT mode.

QUICK-START

1. Lay the detector

Put the detector on a wooden or plastic table, and let the search coil stretch out of the table about 30cm, keep away from walls, ceilings and floors, turn off all kinds of electrical appliances that will cause electromagnetic interference, remove watches and rings from hands. (see Fig 1)

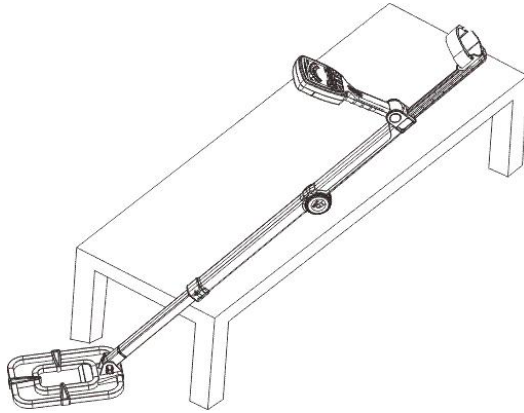


Fig.1

2. Turn on

Press the POWER button, the detector will sound three kinds of tones (high, medium, low) and all LCD patterns will be lit for a moment.

3. Mode adjustment

(1) SENS

Press the MENU button to set to SENS mode. The SENS value will keep the setting value when you last shut down. Press \uparrow and \downarrow to adjust the sensitivity. Set SENS to level 5-6.

(2) DISC

Press the MENU button, the DISC cursor lights up.

Press the \uparrow key and \downarrow key to remove some metals from left to right (the three types of metals on the far right cannot be eliminated). For example, if you reject four metals, such as IRON, 5 ϕ , P-TAB and S-CAP, the corresponding icon will disappear.

The detector does not give an alarm prompt to the corresponding metal.

Scan your existing metal samples (such as iron nails, 5 ϕ , 1 ϕ , 25 ϕ etc.) at 7-6 cm above the search coil.

- a) The detector will emit different sounds in turn.
- b) The depth cursor indicates level 3 or 4.
- c) The target cursor lights up separately. The numeric cursor shows the corresponding number.

As shown in the table:

Sample	Iron nail	5 ¢ nickel coin	Pull-tab	Alloy Screw Nuts	1 ¢ zinc coin	10 ¢ Copper coin	25 ¢ Silver coin	50 ¢ Silver coin	1\$ Silver coin
Tone	Low tone	Low tone	Middle tone	Middle tone	Middle tone	High tone	High tone	High tone	High tone
Target indication	Iron	5 ¢	P-TAB	S-CAP	1 ¢	10 ¢	25 ¢	50 ¢	1\$
Digital target indication	0-9	10-19	20-29	30-39	40-54	55-64	65-79	80-89	90-99

(See Fig.2 take iron nail as an example)

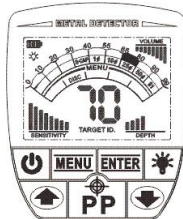


Fig.2

(3) NOTCH

Press the MENU button, the NOTCH cursor lights up.

Press the ↑ key and ↓ key, the metal category indicator cursor will flash one by one. Press ENTER again to select or remove the metal types you need or not.

(4) A-M all-metal mode

Press the MENU button, the A-M cursor lights up. Enter all metal mode. In all-metal mode, all metal objects can be detected.

(5) VOL

Press the MENU button, the VOL cursor lights up.

The VOL mode is used to adjust the alarm volume of the detector.

Press ↑ and ↓ to adjust. (In VOL mode, the detector stops detecting metal signals.)

TROUBLE SHOOTING GUIDE

SYMPTOM	SOLUTION
No power, no boot sound, and the LCD has no indication.	1.Be sure that the batteries are installed correctly. 2.Replace the batteries.
Sound a successive "DI" "DI" tone	1.Make sure that there is no other metal detector Operating around. 2.Release the sensitivity properly.
The LCD displays normal, but the unit has no detection function.	The connection of the search coil is bad. Plug in the cable plug.
The LCD displays normal, but the sensitivity is very low.	When turning on, there is metal near the search coil. Let the search coil be far away from the ground, and then turn on the unit again.
Sound an irregular tone, or the target identification cursor chatters.	1.Don't use it indoors, because there is many metals there. 2.Make sure whether there is electromagnetic interference source, such as power lines,

	cables, electronic fences and so on. Keep away from these areas, or try to reduce sensitivity.
The signal is unstable, and the position of the target identification cursor is changing.	<ol style="list-style-type: none"> 1.Sweep at a different angle, in order to determine whether you can get a more stable signal. 2.If the target is buried deeply, you could try to increase the sensitivity or speed up the speed of sweeping the search coil, in order to get a more stable signal.
	<ol style="list-style-type: none"> 3.Maybe more than one metal targets buried there, try to increase the sensitivity or set different discrimination range to sweep. 4.Maybe you find a severe oxidation target, or the ground is serious magnetic, you should try to decrease the sensitivity.
Using PINPOINT, when the search coil approach the ground, the unit will sound a tone.	<ol style="list-style-type: none"> 1.The ground is serious magnetic. in the position near the ground, start the PINPOINT mode, to reduce the sensitivity. 2.There is large metal under the ground.

4. Move the search coil

When detecting, move the search coil at a constant speed, not unsteadily. Let the search coil be parallel with and about 1/2 inch from the surface, not to swing it like a pendulum high and low above the ground. (See Fig 3)

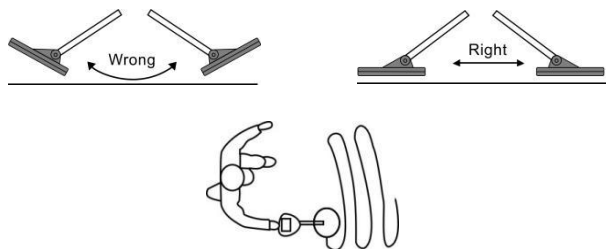


Fig.3

CARE AND MAINTENANCE

Your 640 metal detector is an example of superior design and Craftsmanship. The following suggestions will help you care for your metal detector so you can enjoy it for years.



Handle the detector gently and carefully. Dropping it can damage circuit boards and cases and can cause the detector to work improperly.



Use the detector only in normal temperature environments. Temperature extremes can shorten the life of electronic devices, damage the cases of the detector.



Wipe the detector with a damp cloth occasionally to keep it looking new. Do not use harsh chemicals, cleaning solvents, or strong detergents to clean the detector.



Keep the detector away from dust and dirt, which can cause premature wear of parts.