

XIAOMI MIJIA Wireless Vacuum Cleaner 3 User Manual



Safety Information

Read this manual carefully before use, and retain it for future reference.

Usage Restrictions

- ? This product should not be used by individuals with physical, sensory, or mental disabilities, or those lacking experience and knowledge (including children), unless supervised or instructed by a guardian to ensure safe operation.
- ? This product is designed for indoor use only. Do not use or install it outdoors, in industrial, or commercial environments.
- ? Do not charge or store the product near heat sources or in humid areas (e.g., near radiators, kitchens, bathrooms).
- ? Do not allow children to treat this product as a toy.
- ? Do not touch the lens or any electrified parts with wet hands.
- ? Use only replacement parts recommended by the manufacturer.
- ? Before installing, disassembling, replacing accessories, or performing maintenance, ensure the product is powered off and unplugged to prevent injury.
- ? To avoid fire, explosion, or injury, inspect the power adapter for damage before use. Do not use a damaged power adapter.
- ? Do not block the air intake or exhaust vents to prevent overheating and damage.
- ? Do not place objects near the vents.
- ? Do not use the product if accessories are damaged or improperly installed.
- ? Always power off the product before lifting or moving it to prevent injury.
- ? Keep purchased items and accessories away from people and objects during use.
- ? Exercise caution when cleaning stairs to ensure personal safety.
- ? Do not use this product to clean fine-particle dust such as drywall or fireplace ashes.
- ? Do not use this product to clean smoking or burning materials, such as fire embers, cigarettes, or matches.
- ? Do not use this product to clean sharp or hard objects, such as glass, nails, screws, or plastic.
- ? Do not use this product to clean stains with strong grease, adhesives, or dyes (e.g., shoe polish, paint, pigments).
- ? Do not use this product to clean flammable/explosive substances (e.g., gasoline) or toxic solutions (e.g., chlorine bleach, ammonia, drain cleaners).
- .
- ? Do not use this product to clean toner or powder from laser printers or copiers, as this may cause fire or explosion.
- ? Do not place the product on unstable surfaces (e.g., chairs, tables) to prevent falls and damage.
- ? Do not rinse or submerge the main body, extension rod, or brush heads in liquid. Clean washable parts thoroughly and ensure they are dry before reinstallation.
- ? Do not use the product if vents are clogged. Clean dust, lint, or hair promptly to maintain airflow.
- ? If the product malfunctions (e.g., overheating, abnormal noise, odor, weak suction), contact official. Do not attempt self-repair.
- ? Only authorized service centers may repair this product to ensure safety.
- ? Do not use third-party batteries or power adapters. This product must be used with the specified power adapter (model: BLJ24WJS40080P-C).
- ? Charge the battery strictly within an ambient temperature of 5°C – 40°C as instructed to avoid damage.
- ? The battery in this device must be replaced by qualified technicians only.
- ? Warning: Do not charge the battery using the detachable power supply unit provided with this device.
- ? If the power adapter is damaged, it must be replaced by the manufacturer or a qualified professional to prevent hazards.
- ? Fire Hazard Warning: Do not apply flammable chemicals to filters or filter cartridges, as they may ignite.
- ? Any damage caused by improper use is the user's responsibility.

Product Overview

Accessories List



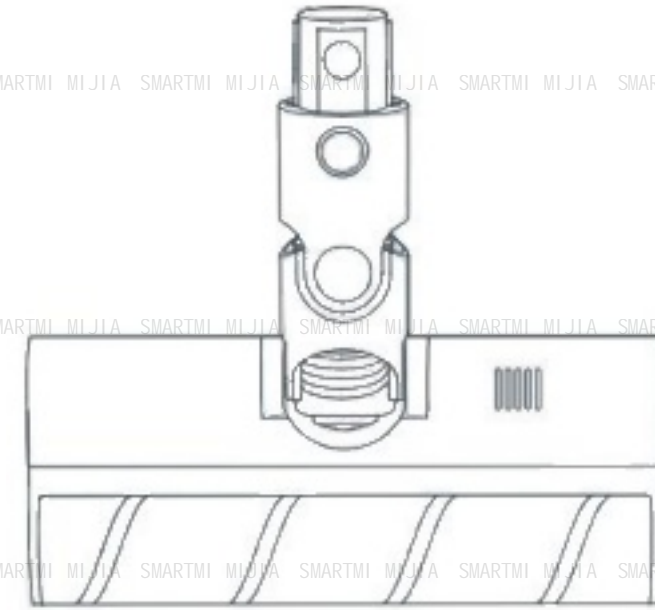
Main unit
(pre-installed with dust cup,
filter cone, filter barrel, and filter)



User manual



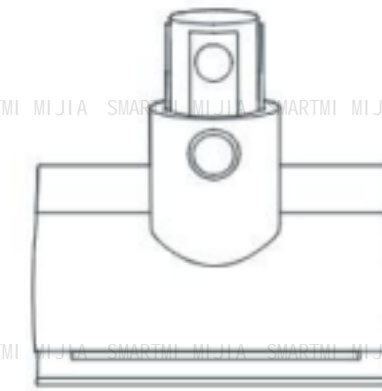
Extension rod



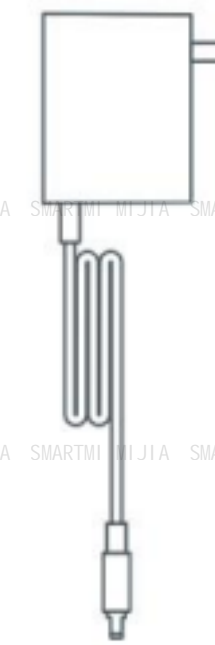
**Electric Tangle-free
Brush Bar**



2-in-1 brush



Electric Mite Brush



Power Supply



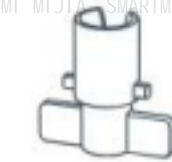
Mounting sticker



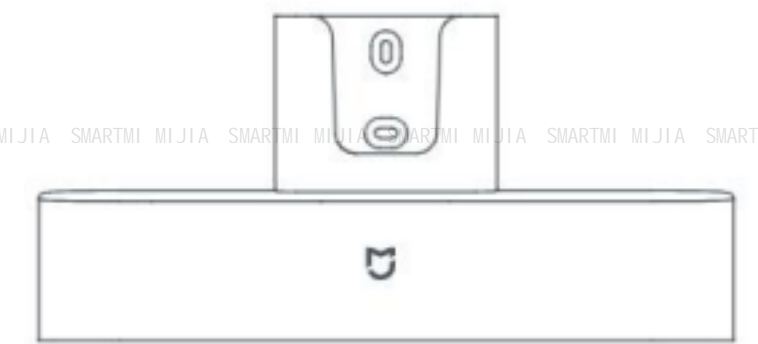
Expansion tubes × 2



Screws × 2



Plug fastener



Charging & storage combo bracket

Note: Illustrations of product, accessories, and user interface in the user manual are for reference purposes only. Actual product and functions may vary due to product enhancements.

Product Introduction

Main Unit

Display Screen

modes button: Short press to switch modes.

Standby button: Short press to start/stop.

Handle

Filter Assembly

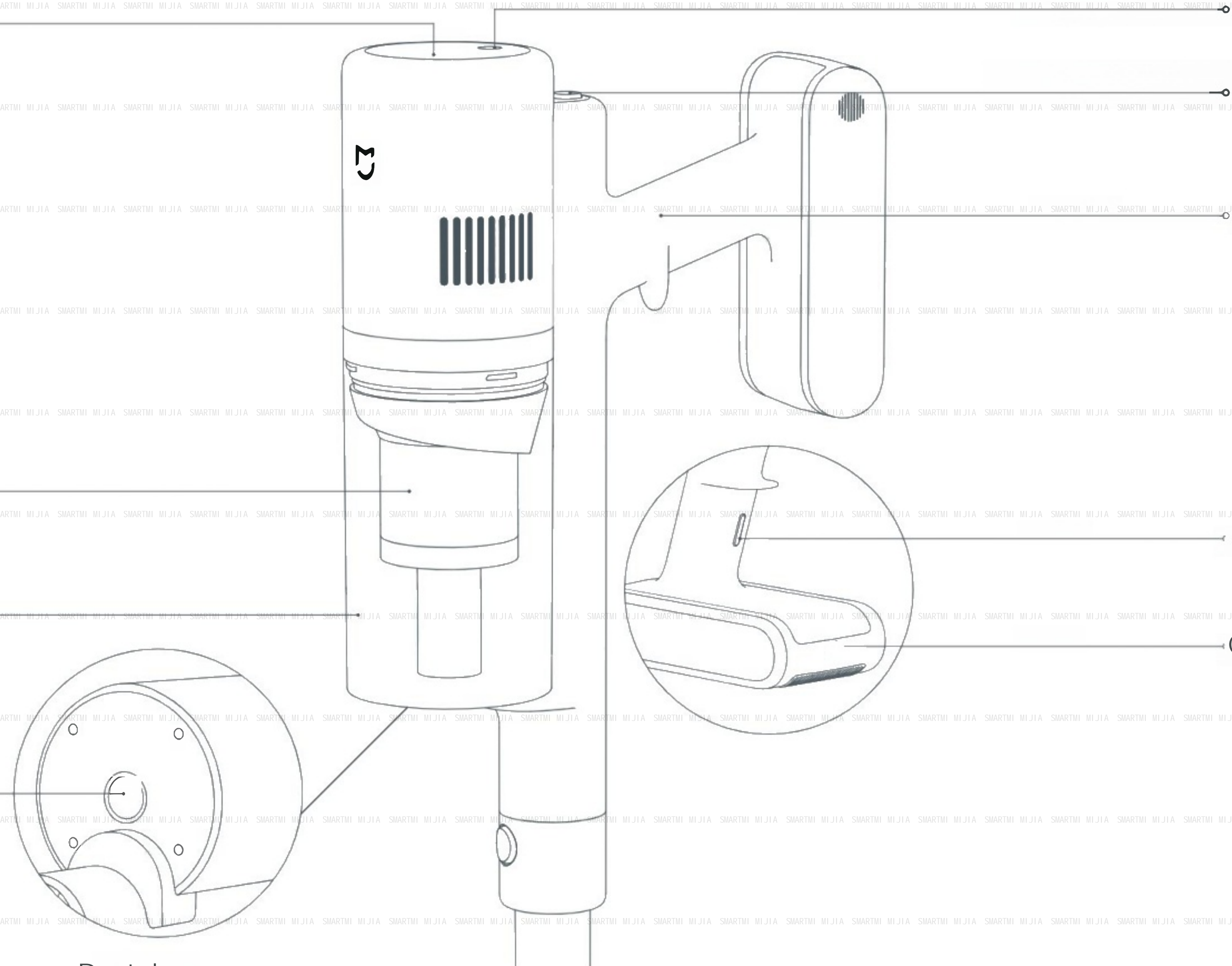
Anti-static strip

Dust Compartment

Charging port

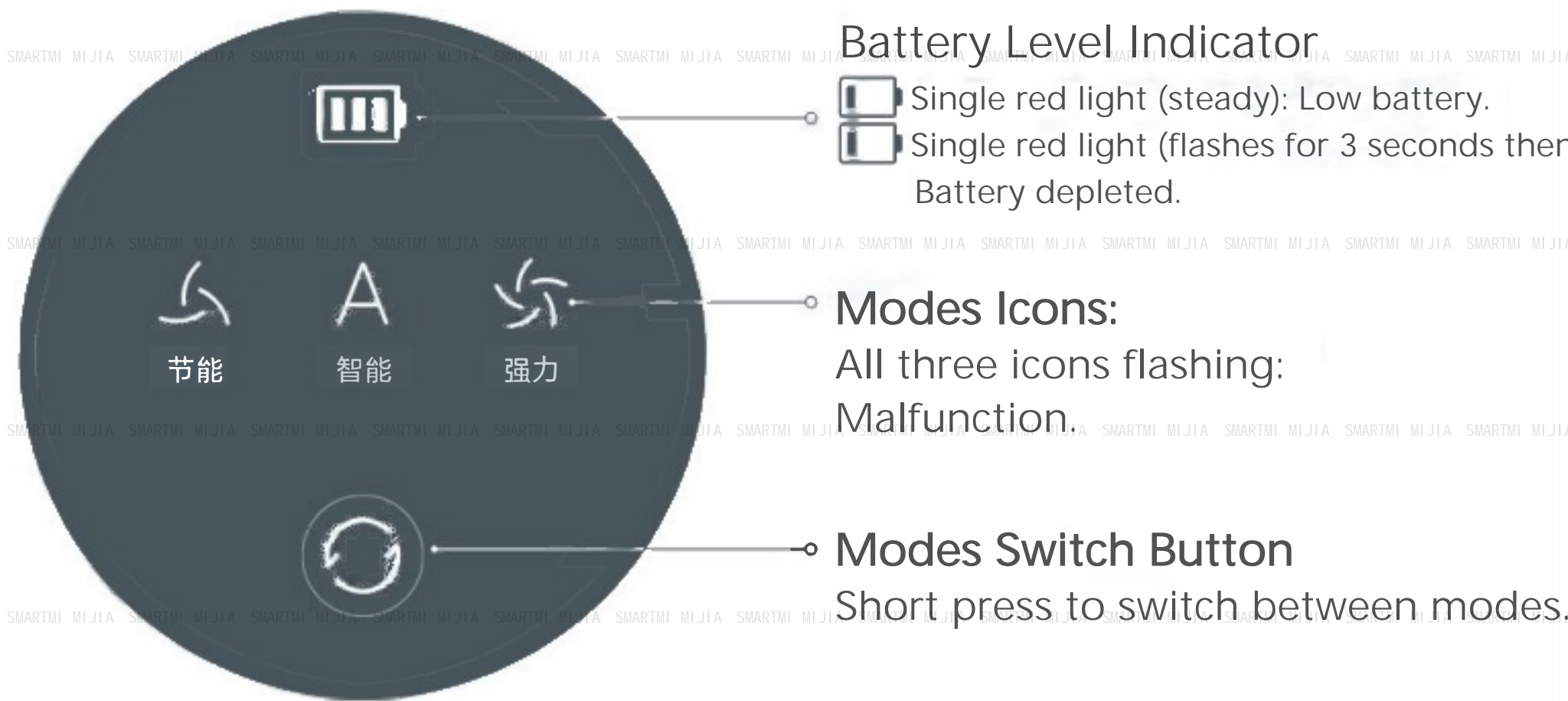
Dust Release Button

Dust base



Product Introduction

Display Screen

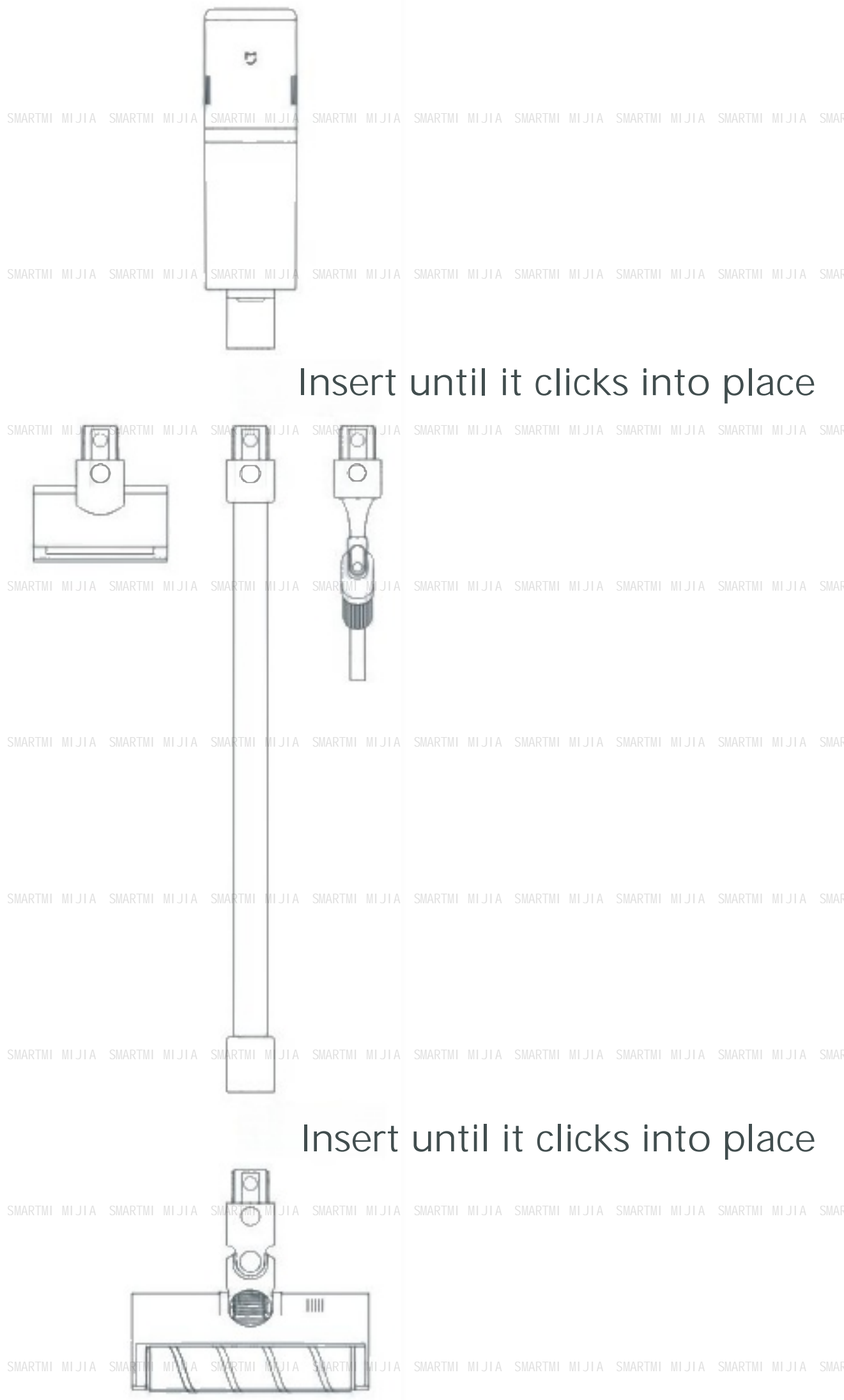


Modes Descriptions

Modes	Eco Modes	Auto Mode	Boost Mode
Usage	The suction small,	Suction adjusts automatically based on dust level	The suction largest,

How to Install

Installing the Accessories onto the Vacuum Cleaner



Tip: It is not recommended to use the electric mite removal brush in conjunction with an extension pole.

Install

Installing the 2-in-1 Charging & Storage Mount

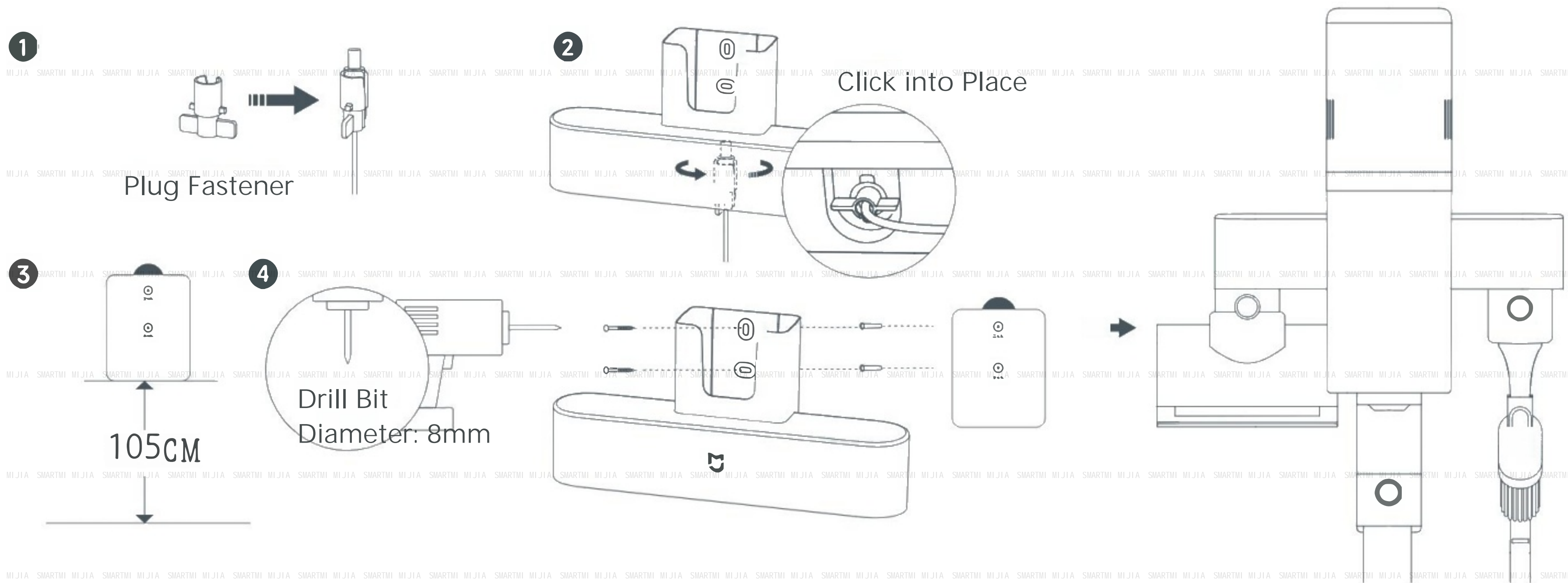
Notes:

Install the bracket near a power outlet in a cool, dry area.

Ensure no wires or pipes are behind the installation area.

Professional installation is recommended. Use protective gear if necessary.

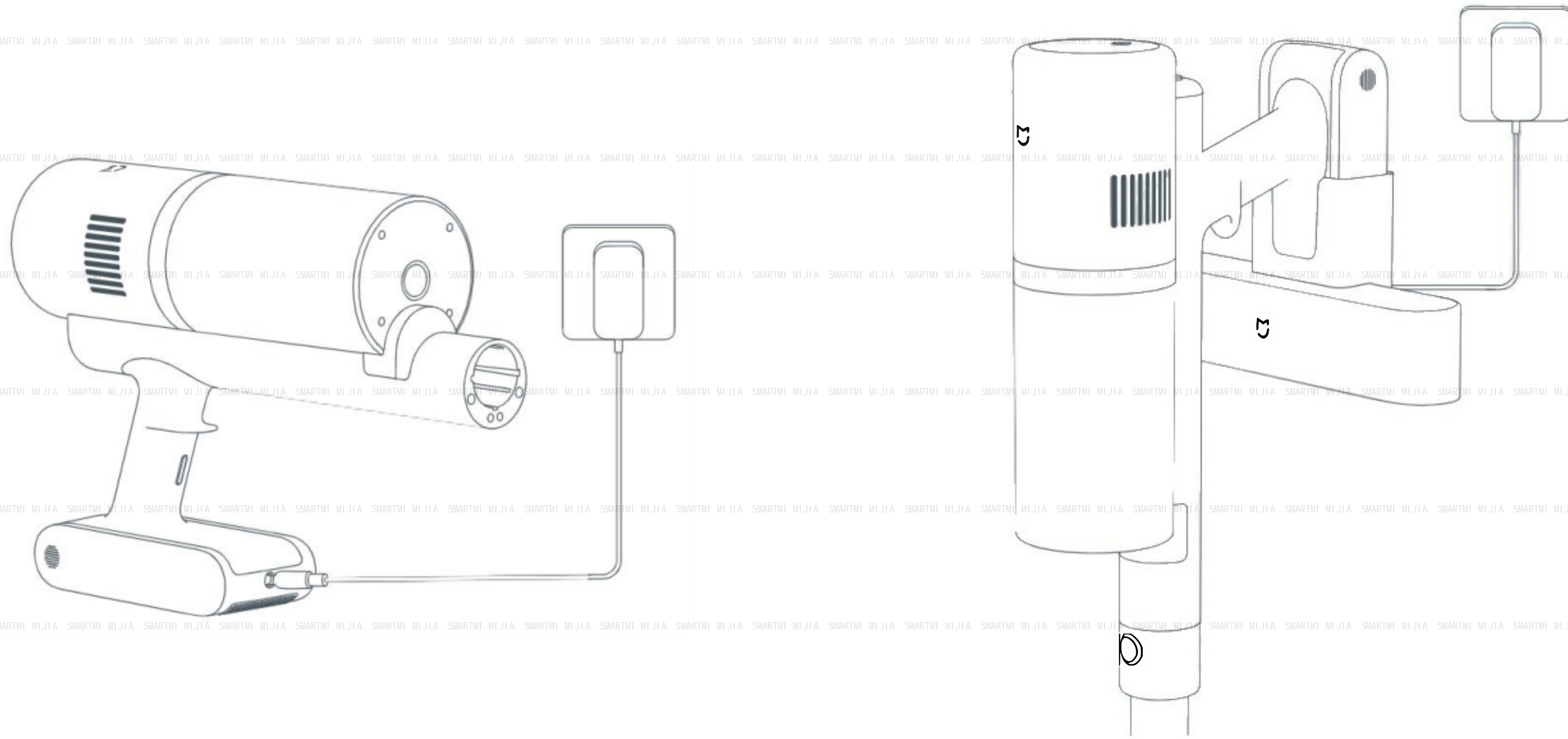
1. Insert the power plug (connected to the vacuum) into the plug fastener.
2. Attach the plug fastener to the bracket and rotate 90° counterclockwise to lock.
3. Position the mounting sticker 105cm above the floor, parallel to the ground.
4. Drill holes using an 8mm drill bit through the sticker's guide holes. Secure the bracket with expansion tubes and screws.



Charging

Note: Fully charge the product before first use (approx. 4 hours).

Charging Methods



Method 1: Direct charging via power adapter.

Method 2: Charging on the 2-in-1 Charging & Storage Mount

Notes:

1. Fully charge the vacuum cleaner before using it for the first time. This will take about 4 hours.
2. The vacuum cannot operate while charging.
3. Vacuuming at the highest suction level for a prolonged period will cause the battery to heat up, which may increase the charging time. Before charging the vacuum cleaner, it is better to cool it down for 45 minutes.

How to Use

Starting/Cleaning

Start/Stop: Short press the standby button.

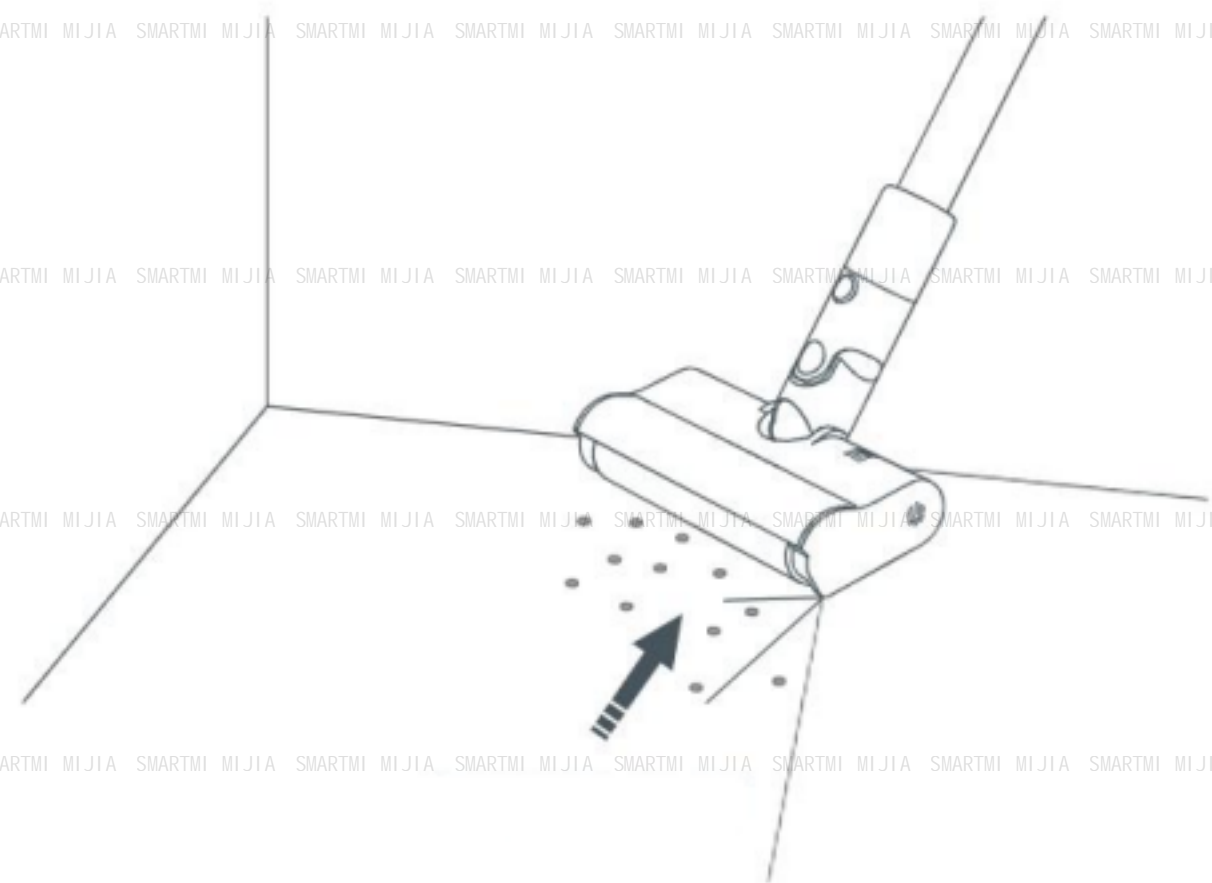
Switch Modes: Short press the gear shift button to cycle through Eco, Auto, and Boost modes.

Brush Heads & Scenarios

Electric Tangle-free Brush Bar

For cleaning marble, wood, and short pile carpeted floors.

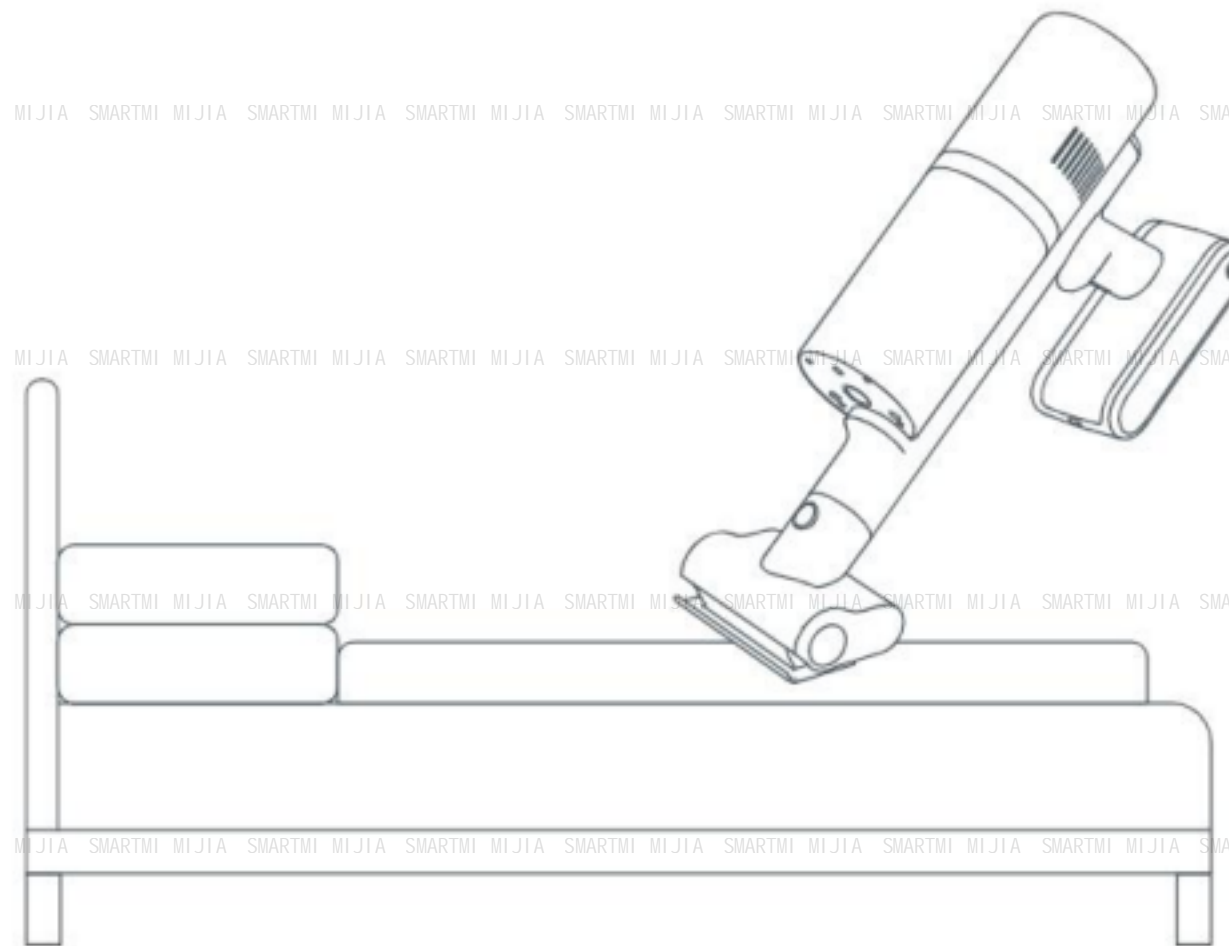
Note: The green dust detection light activates during use. Avoid direct exposure to eyes.



Electric Mite Brush

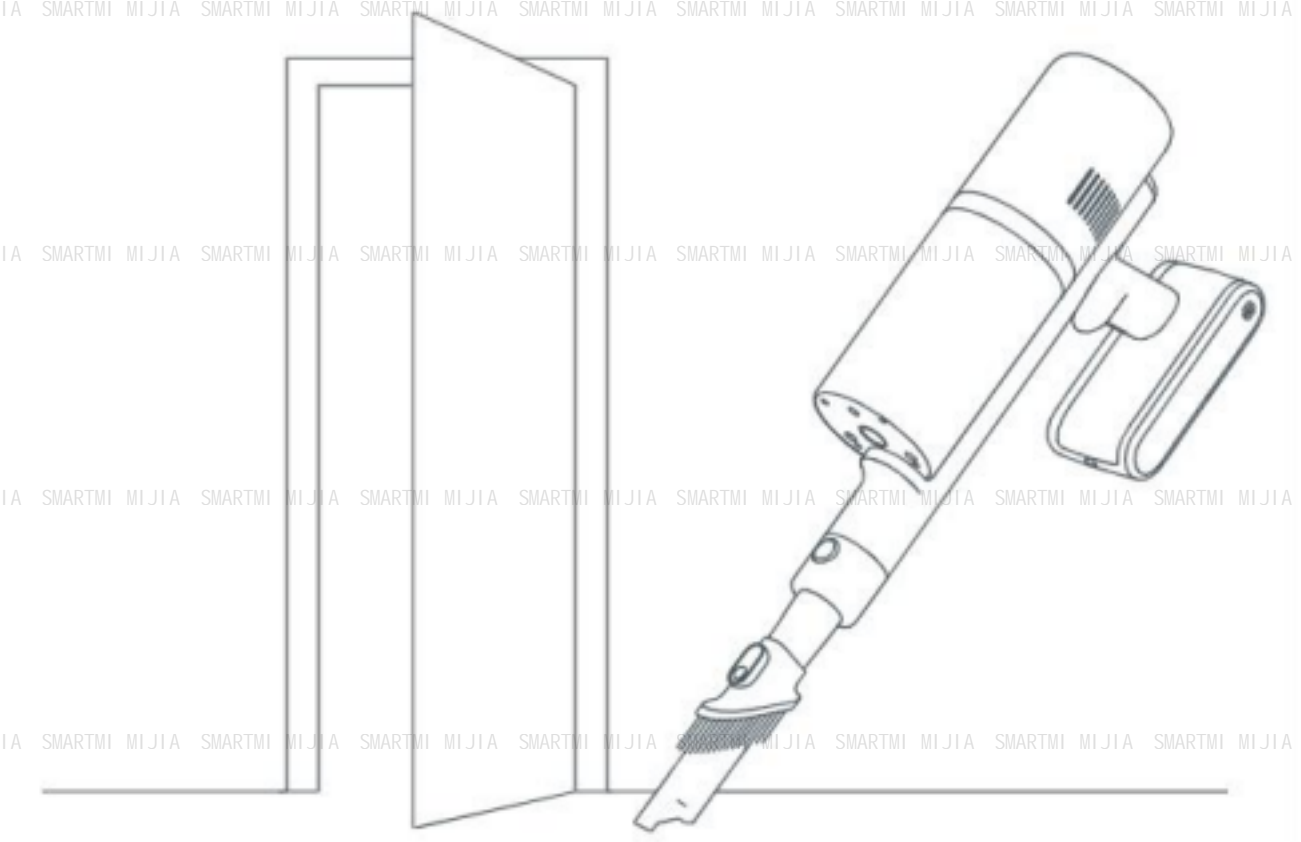
For cleaning dust and mites on most fabric surfaces including mattresses, fabric sofas, and blankets.

Note: Do not use on delicate materials like silk.



2-in-1 Brush: For keyboards, curtains, ceilings, corners, stairs, and car interiors.

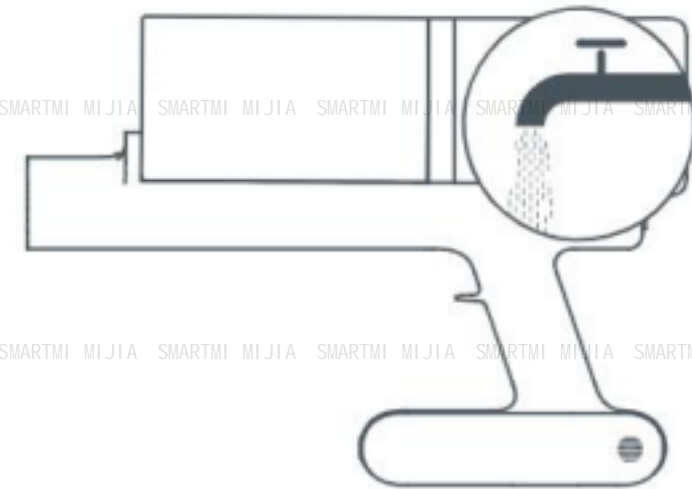
Warning: Avoid direct sunlight. Do not leave the vacuum in high-temperature environments (e.g., cars in summer).



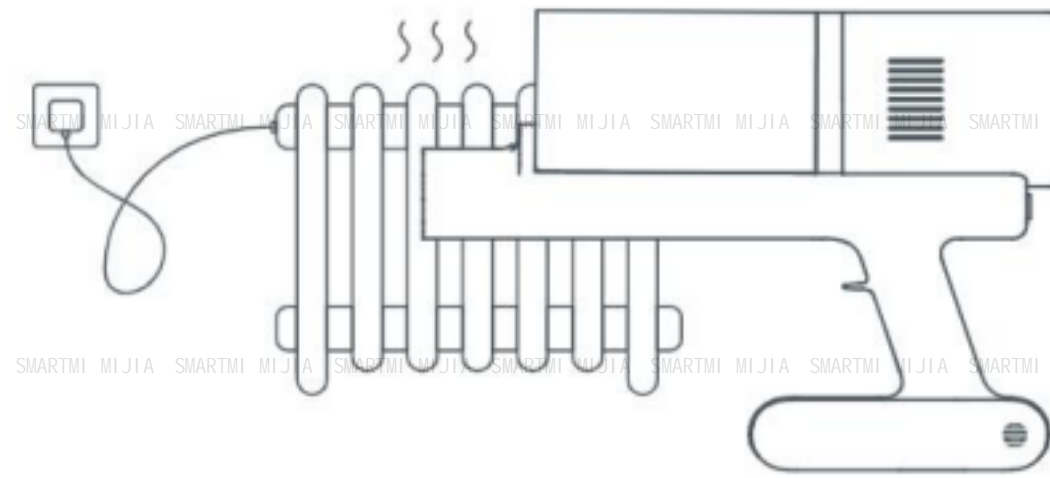
Note: If brush heads are clogged, the vacuum may stop working. Clear blockages immediately.

Use

Prohibited Actions During Use/Maintenance



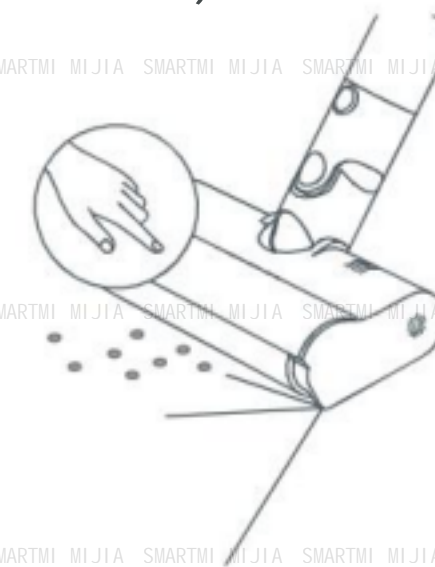
Do not rinse the main unit directly with water.



Do not charge or store the product near heat sources or in humid areas (e.g., radiators, kitchens, bathrooms).



Do not use the vacuum to suck up liquids, burning/smoking objects (e.g., unextinguished cigarette butts), hard objects, or sharp items (e.g., nails).



Do not touch rotating parts while the vacuum is operating to avoid injury.
Do not expose human or animal eyes directly to the green dust detection light.

Care & Maintenance

Precautions:

1. Always use genuine parts to ensure normal operation and to keep your warranty valid.
2. Before maintenance, ensure the power adapter is unplugged and avoid accidental activation of the standby button.
3. If the vacuum cleaner will not be used for an extended period, fully charge it and disconnect it from the power then store it in a cool, low-humidity environment away from direct sunlight.
4. To avoid over-discharging the battery, recharge the vacuum cleaner at least once every three months.

Cleaning the Vacuum Cleaner

Wipe the vacuum cleaner with a soft, dry cloth

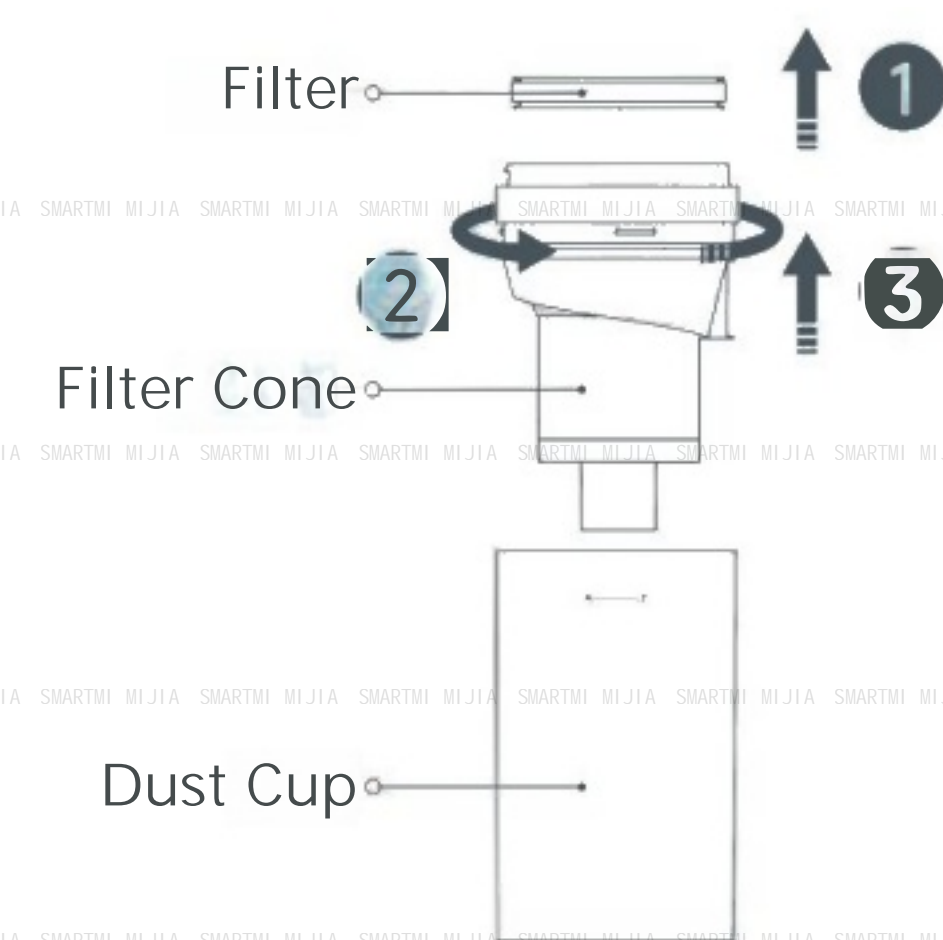
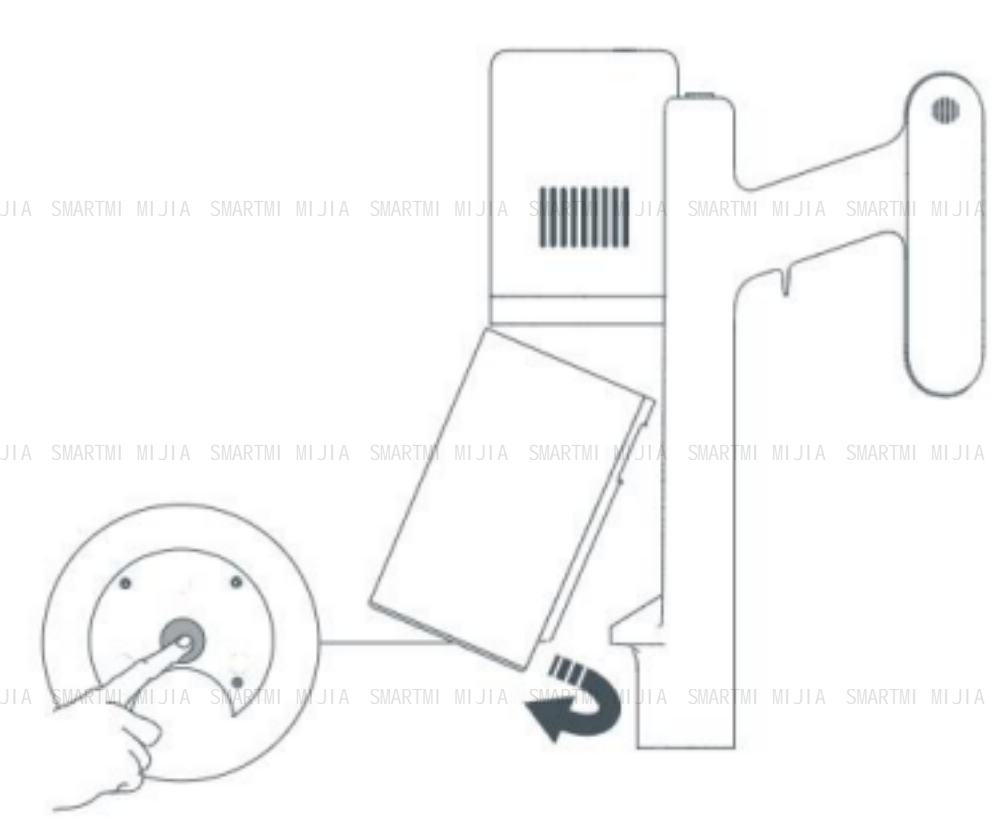
Cleaning the Dust Cup, Filter Cone, and Filter

Note: Remove the extension rod and brush head before cleaning.

Press the dust cup release button to remove the dust cup.

Remove the filter, then rotate the filter cone counterclockwise to detach it.

Rinse the dust cup, filter cone, and filter with clean water. Air-dry for at least 24 hours.



Tips:

When reinstalling the filter, ensure the side with the handle faces upward. Replace the filter every 3-6 months based on usage.

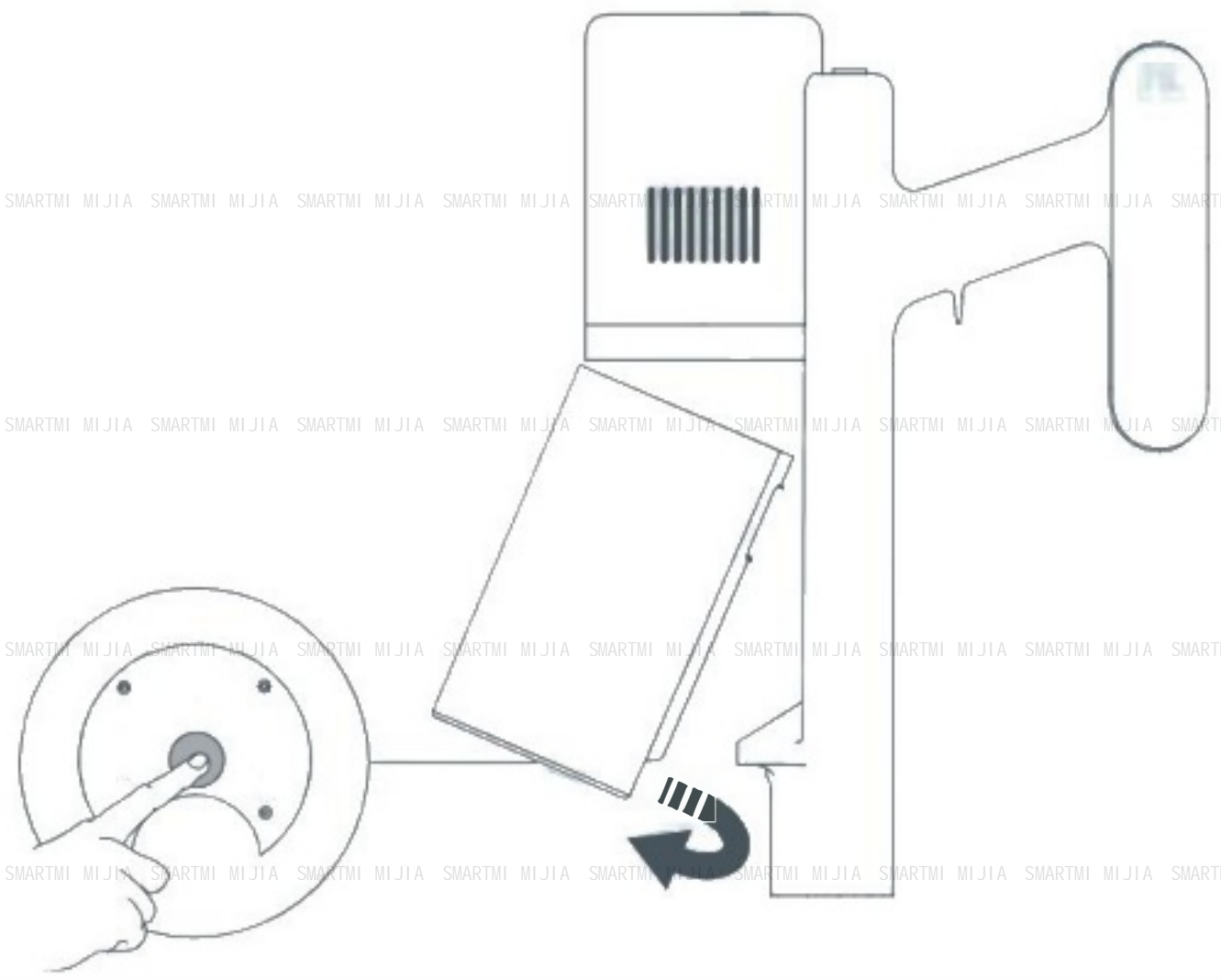
Warning:

Do not clean the filter cone in a dishwasher or washing machine. Avoid drying it near tumble dryers, ovens, microwaves, or open flames.

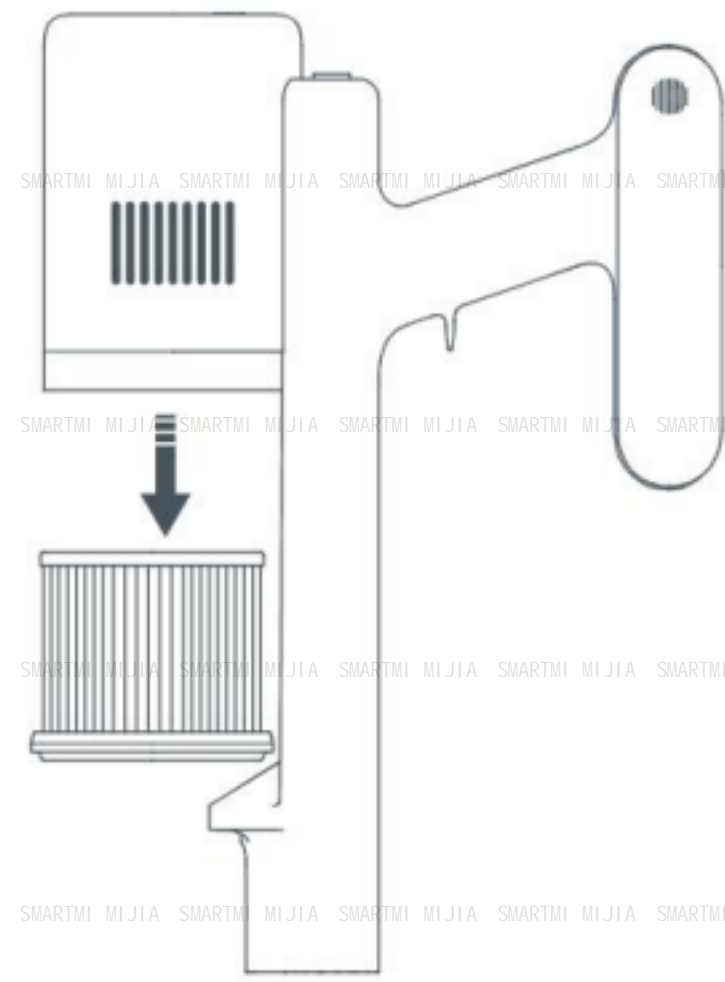
Care & Maintenance

Cleaning the Filter

Press the dust cup release button to remove the dust cup.



Pull down the filter core in the direction shown to remove it.



Gently tap the filter core to remove dust. Rinse it with water until clean, then air-dry for at least 24 hours.

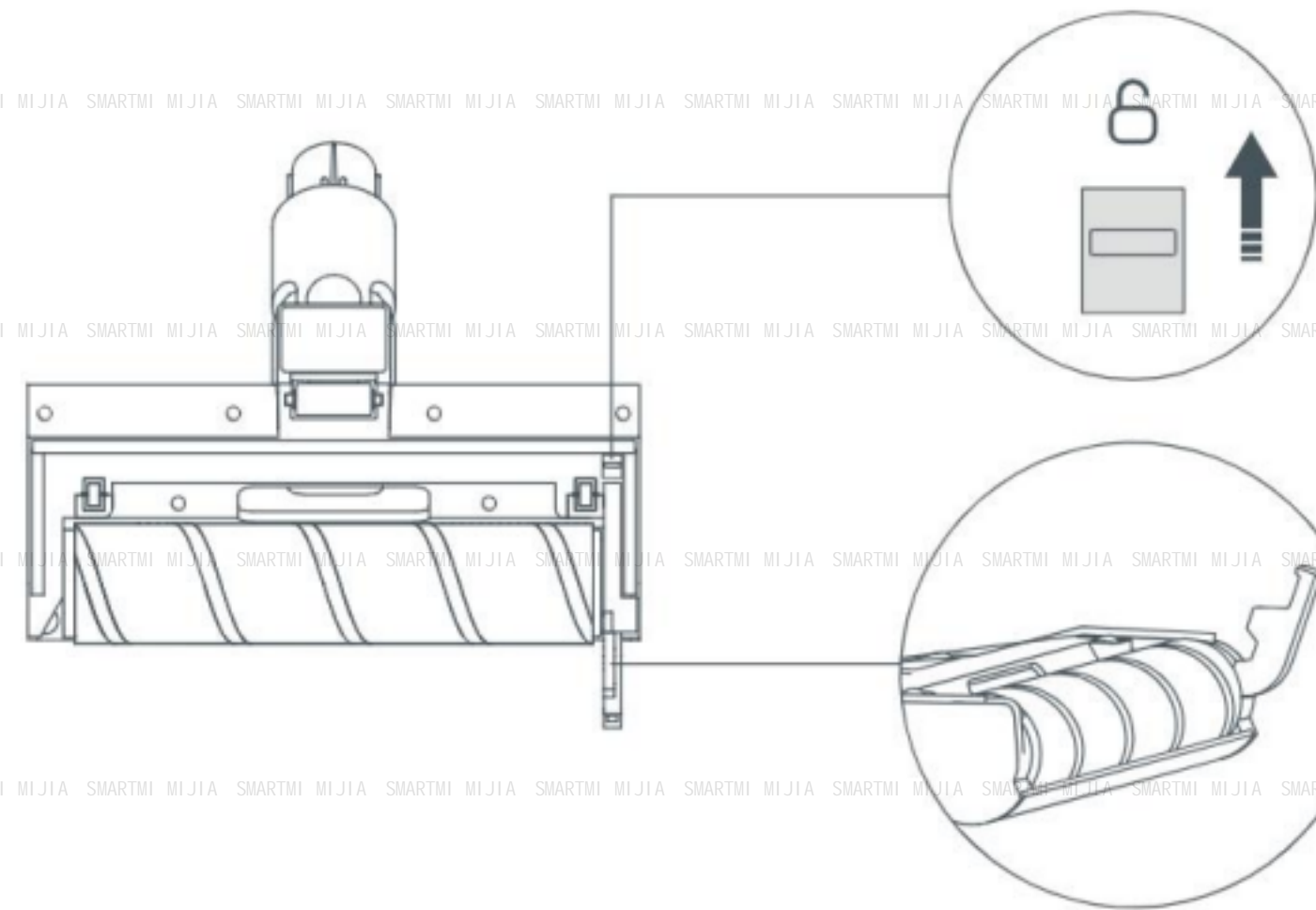


Note: Replace the filter core every 6-12 months based on usage.

Care & Maintenance

Cleaning the Electric Tangle-free Brush Bar

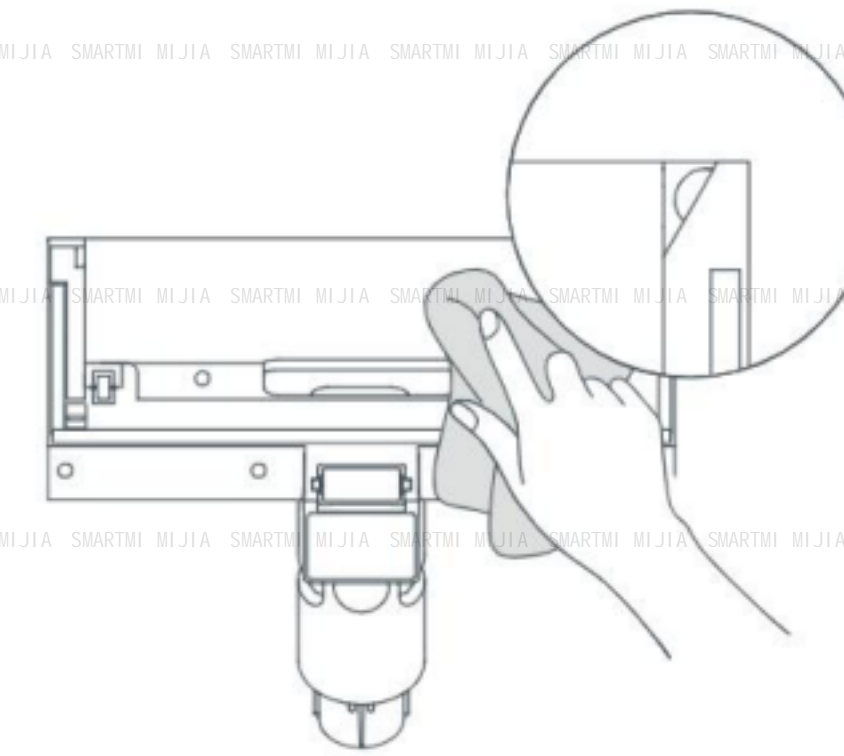
Slide the roller brush release button in the arrow direction to unlock and remove the roller brush.



Roller Brush Release Button

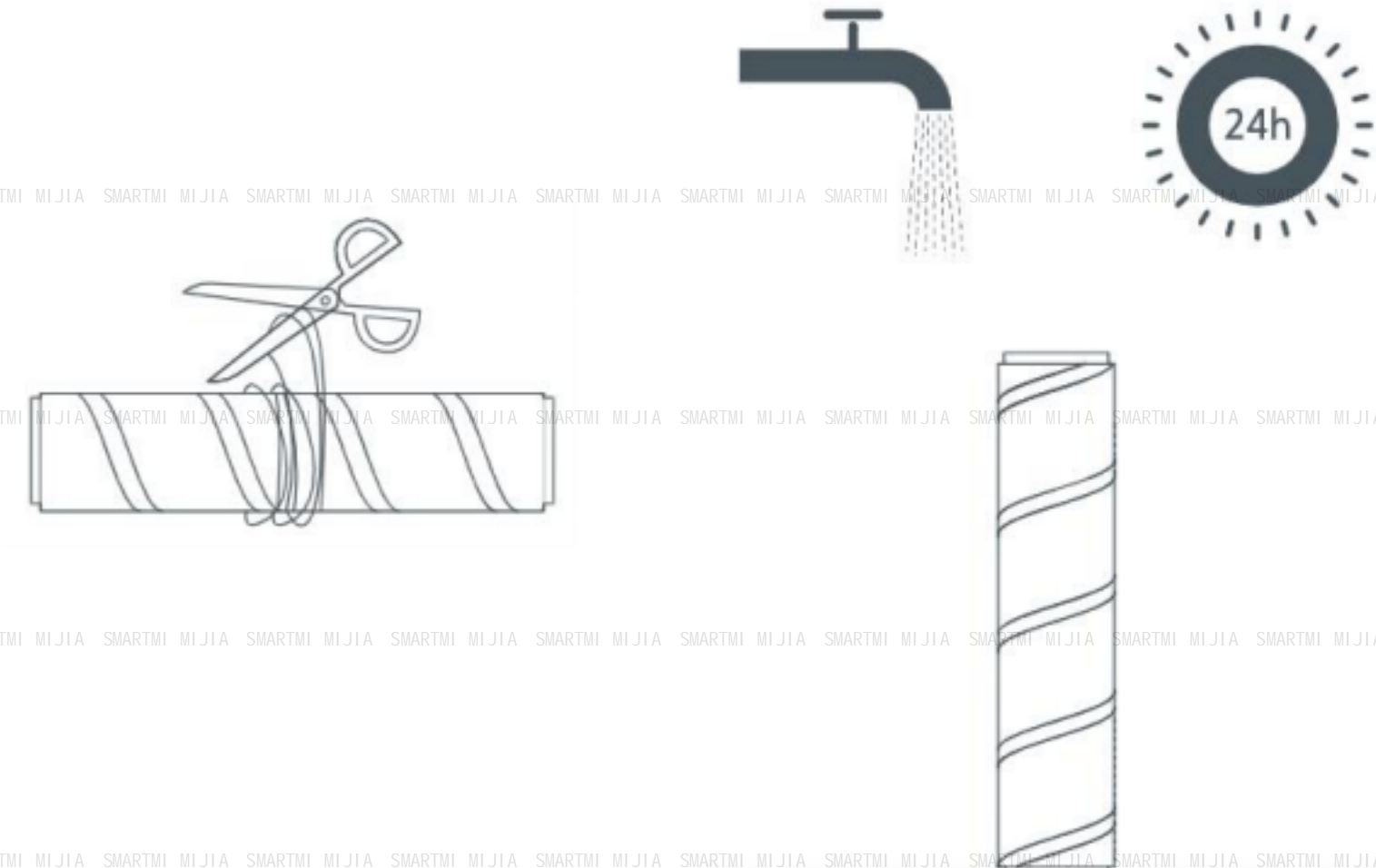
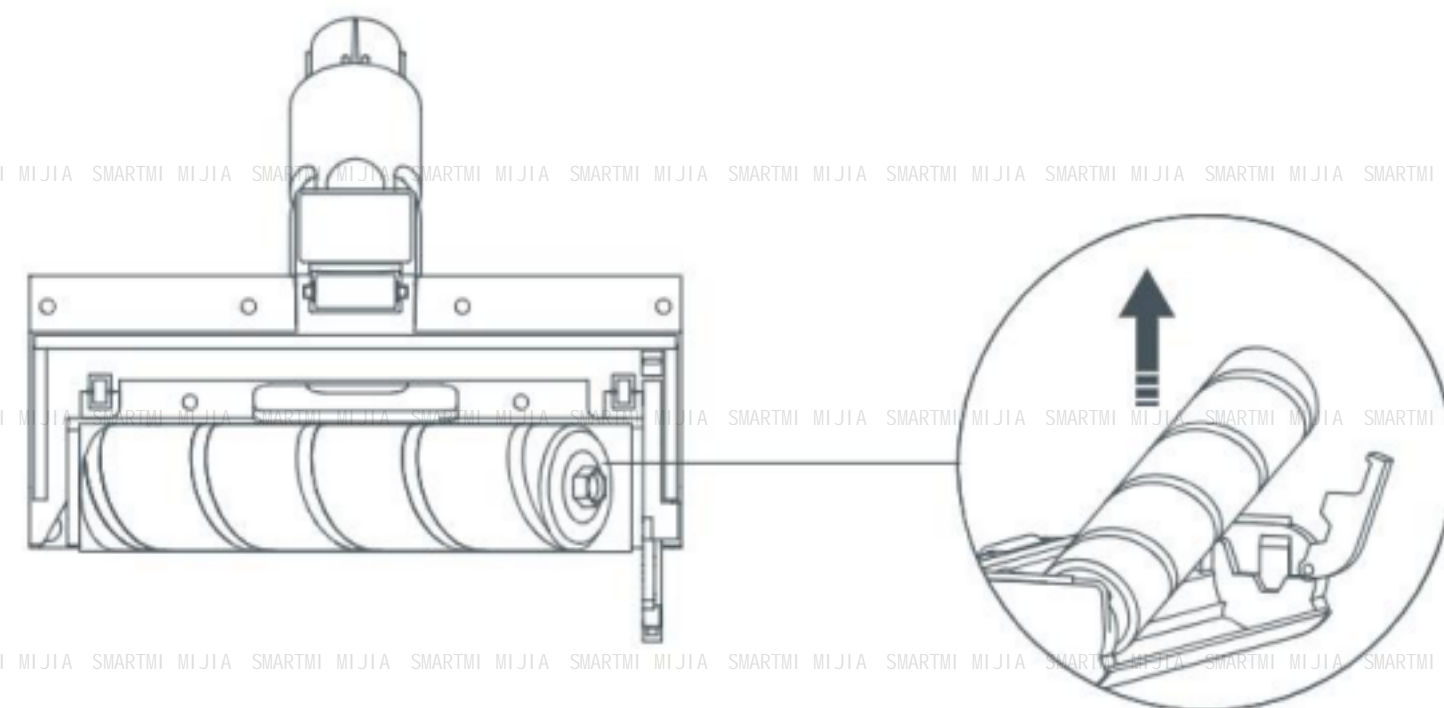
Roller Brush Lock

Wipe the brush body with a dry cloth or tissue, especially the green dust detection light surface.



Green Searchlight

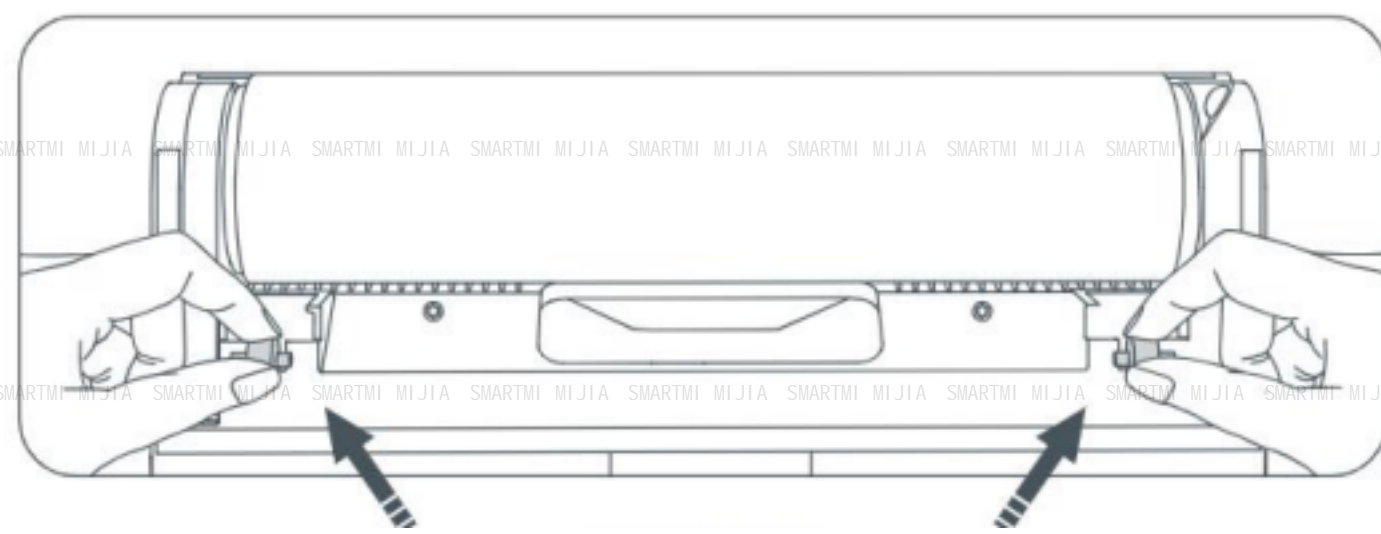
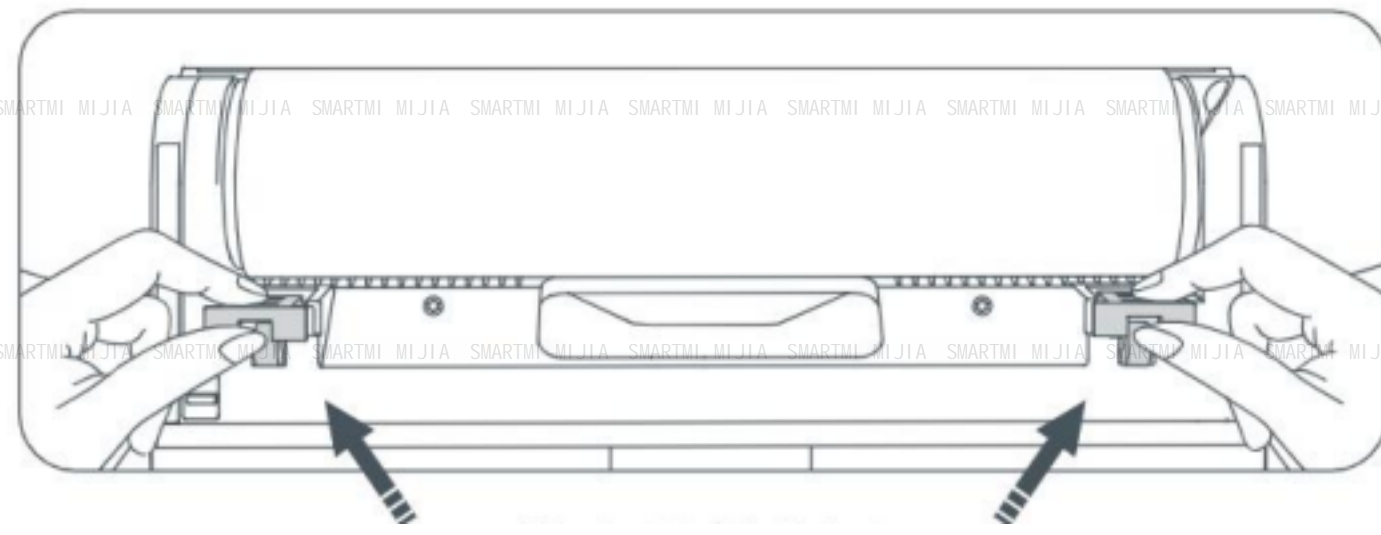
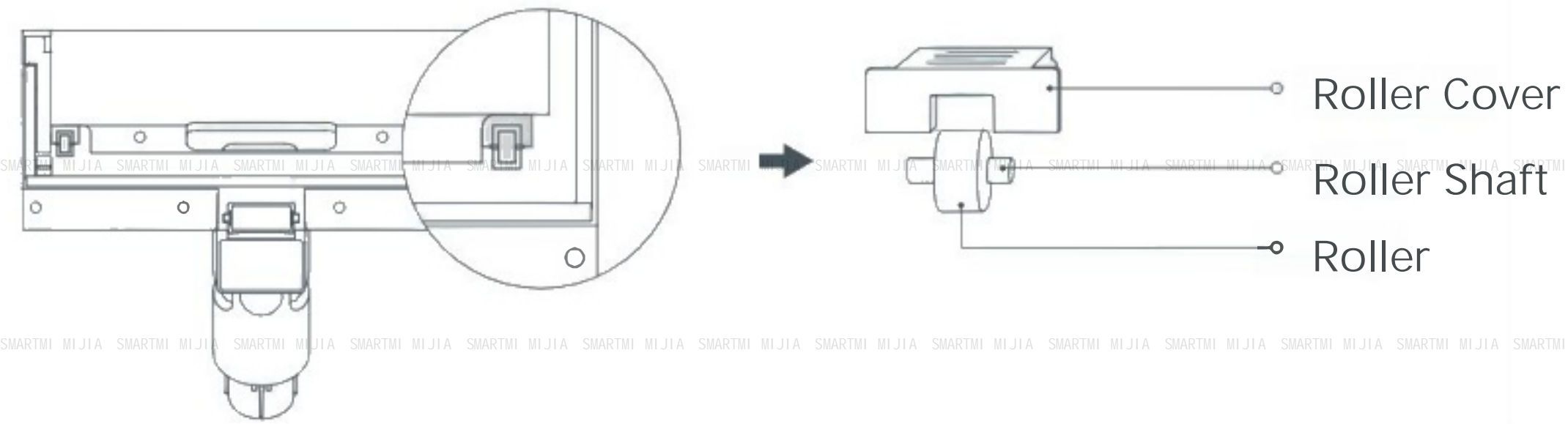
Use scissors to cut off hair tangled on the roller brush. For heavy dirt, rinse the roller brush with water and air-dry vertically for at least 24 hours.



Care & Maintenance

Pull up the roller cover to remove the roller and clean any tangled hair.

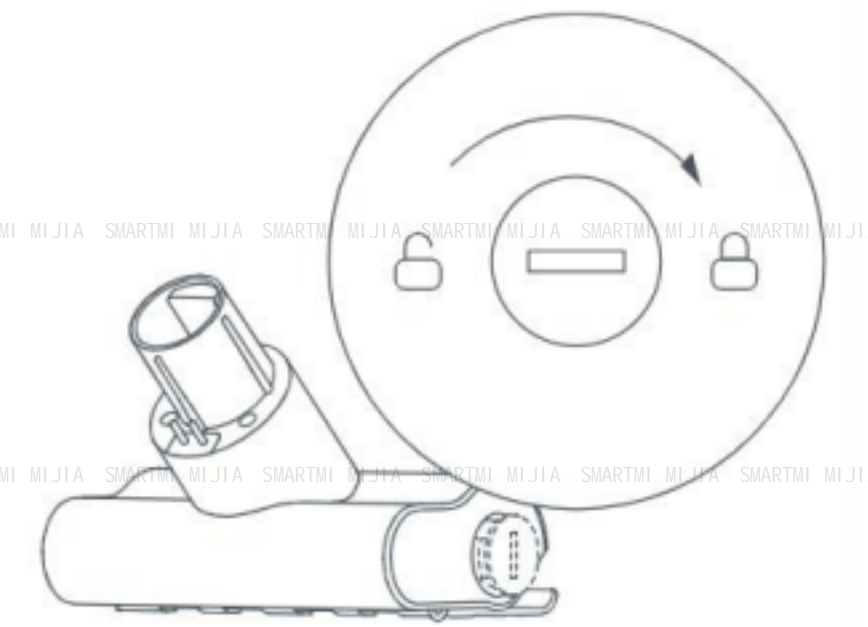
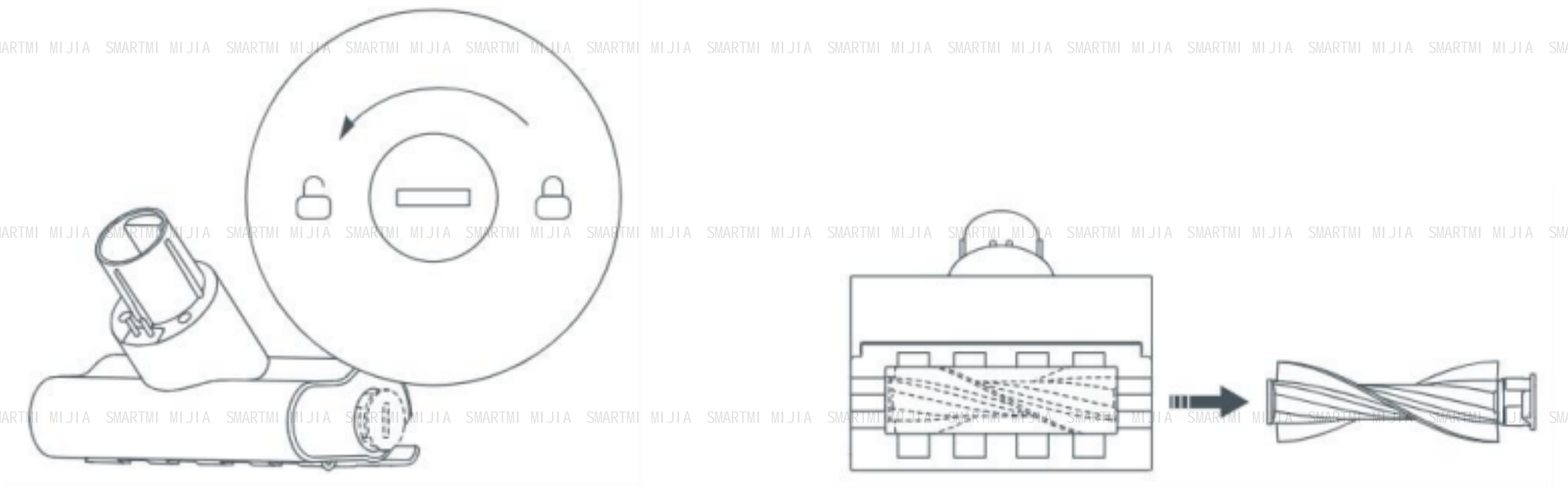
Reassemble after cleaning.



Tips:
Handle the roller carefully to prevent the shaft from slipping.
Keep rollers away from children after disassembly to avoid accidental ingestion.

Cleaning the Electric Mite Brush

1. Insert a tool into the slot and rotate the lock counterclockwise.
2. Remove the roller brush from the electric mite brush, then rinse and clean it.
3. Allow the roller brush to dry thoroughly by standing it upright in a well-ventilated area for at least 24 hours. Once the roller brush is dry, reinstall it by following the disassembly steps in reverse.



FAQ

If the vacuum stops working abnormally, refer to the table below. Contact if issues persist.

Issue	Possible Cause	Solution
The vacuum cleaner does not work.	Battery is depleted	Charge the vacuum cleaner before use
	Airway is blocked or filter is clogged.	Clear any blockages from the suction opening
	Battery has an overheating protection	Wait until the battery temperature returns to normal
The suction power reduces.	Dust compartment is full or filter is clogged	Empty the dust compartment and clean the filter.
	Airway is blocked or filter is clogged.	Clear any blockages from the suction opening
Abnormal motor noise	Airway is blocked or filter is clogged.	Clear any blockages from the suction opening
Battery indicator off	Loose adapter connection	Check adapter connection
	Battery fully charged (sleep mode)	Normal
The battery charges slowly.	The battery temperature is too low or too high.	Wait until the battery temperature normalizes,
Green Searchlight reduction	Green Searchlight Dirty surface	Wipe the Green Searchlight surface

Specifications

Vacuum Cleaner			
Product Name	Cordless Vacuum Cleaner	Model	E201
Charging Voltage	34V	Rated Voltage	28.8V=-
Rated Power	535W	Battery Capacity	2500mAh (nominal), 2300mAh (rated)
Charging Time	about 4 hours	Net Weight	3.1kg
SIZE	1110 × 256 × 263mm		
Electric Tangle-free Brush Bar		Electric Mite Brush	
Model	E201-DS	Model	E201-CMS
Rated Power	40W	Rated Power	20W
Rated Voltage	25.2V	Rated Voltage	25.2V
Power Adapter			
Model	BLJ24WJ340080P-C	Input	100-240V~, 50/60Hz, 0.8A
Output	34V 800mA		