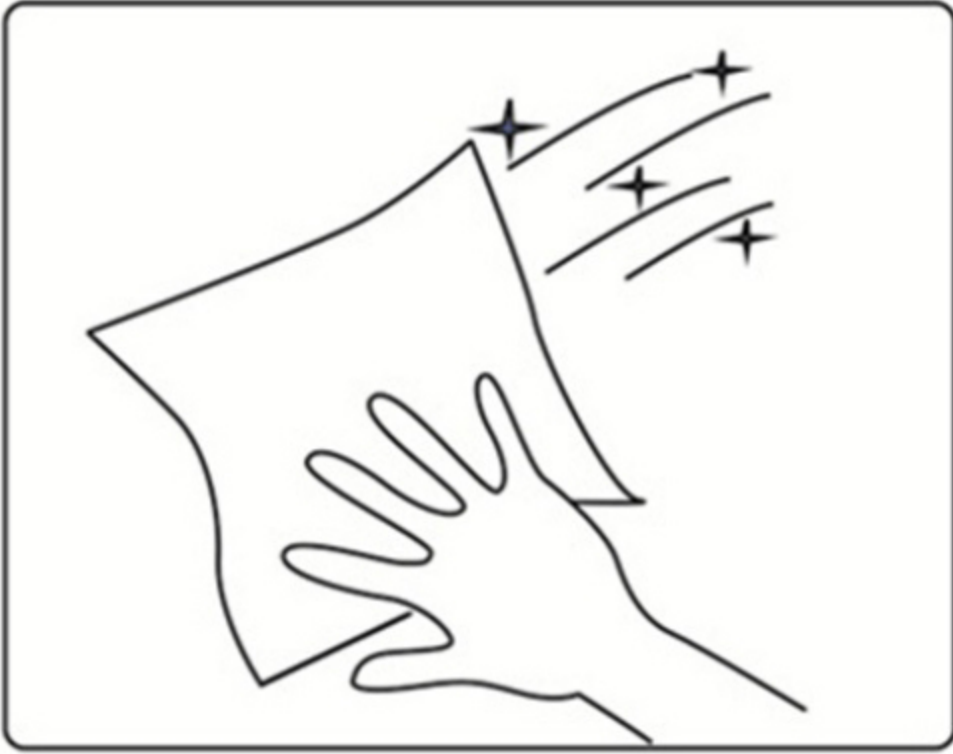
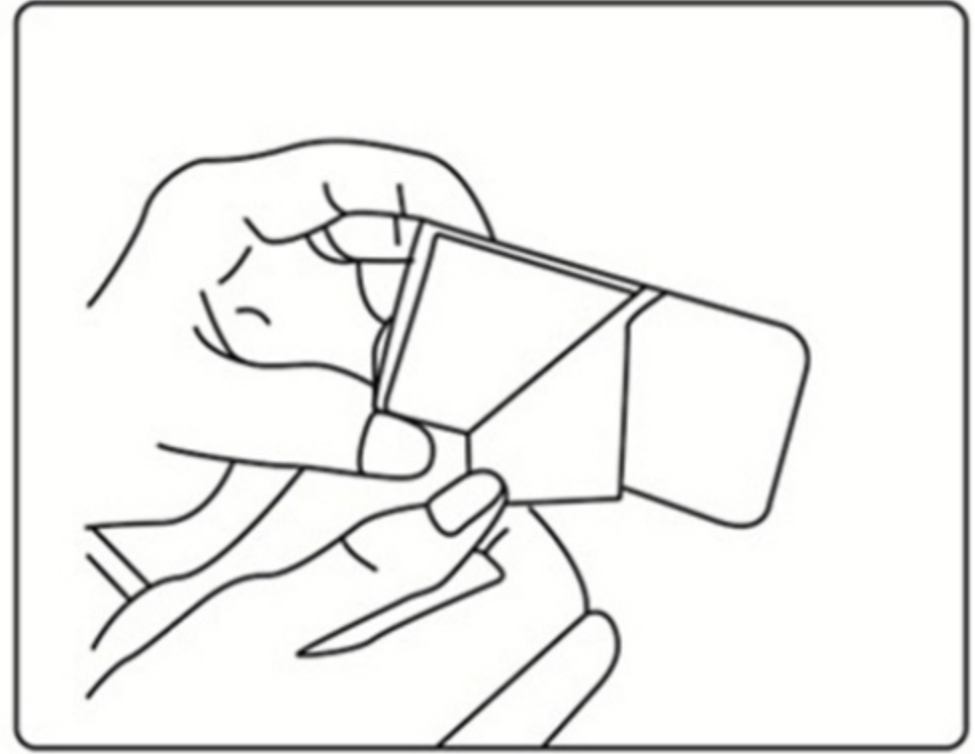


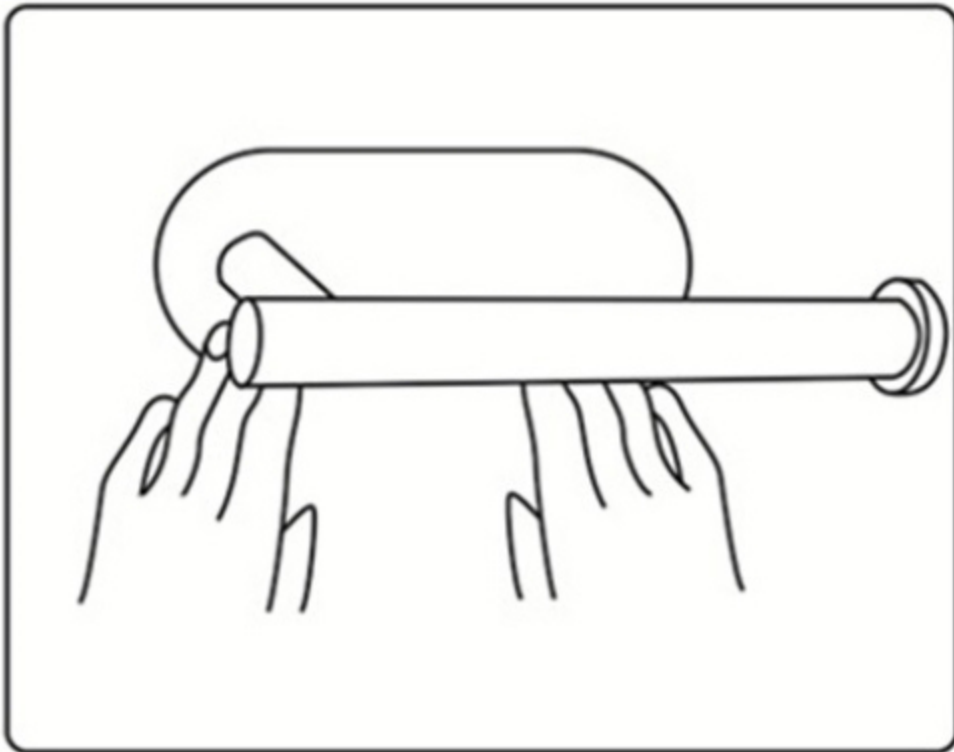
INSTALLATION STEPS



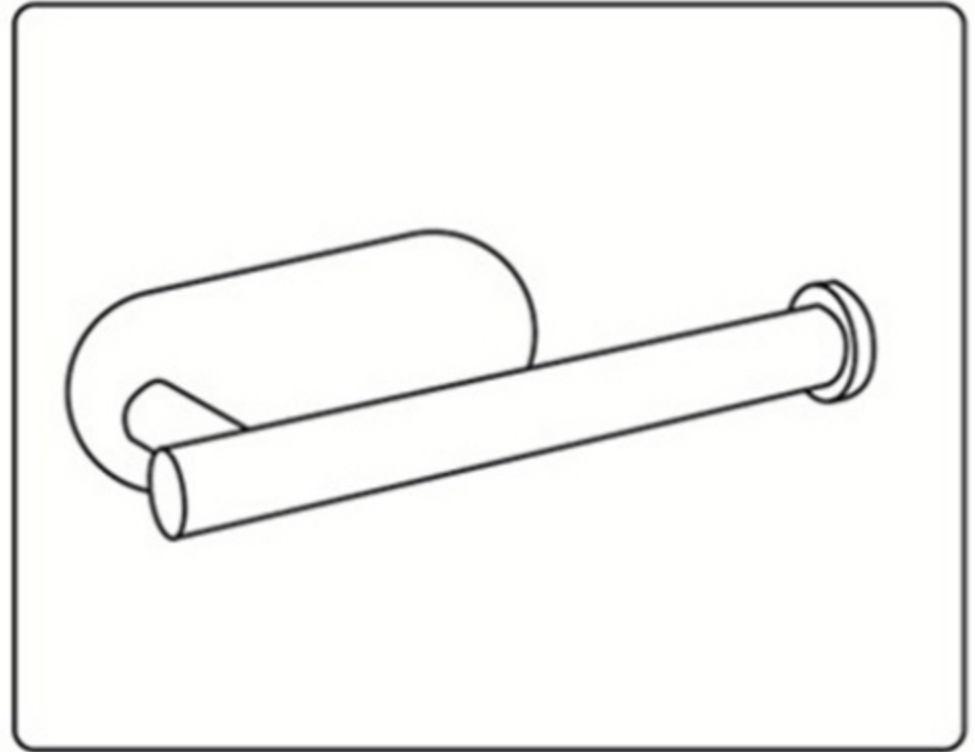
1. Clean the wall and keep the wall dry.



2. Remove the protective film and heat it slightly with a hair dryer.



3. Press the bottom plate to make the wall and the rubber surface fit.



4. Can be used after standing for 24 hours.