

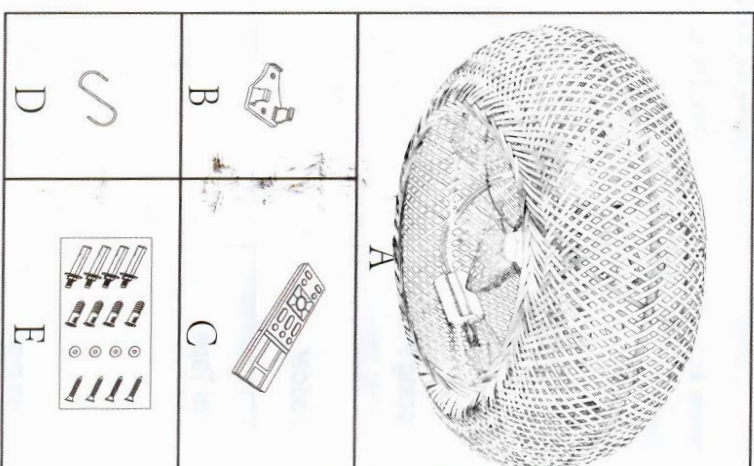
Package contents



Ceiling Fan Light

Manual

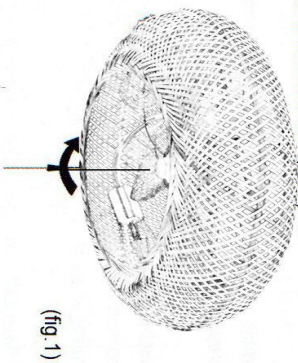
Important: Please read and understand this manual before any assembly. Before assembling this product, please ensure that all parts are in place. Compare the details with the product display presentation. If you have any questions, don't hesitate to contact us through Amazon.



- A. Ceiling fan light x 1
- B. Remote control wall bracket x 1
- C. Remote control x 1
- D. 1S-hook (auxiliary mounting tool) x 1
- E. Accessory pack x 1

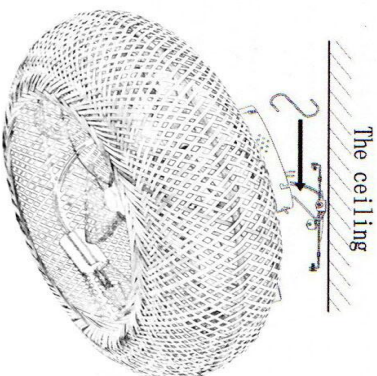
Product assembly

Twist the bottom of the fan blade counterclockwise and lock it into place to make it firm and safe. (fig. 1)

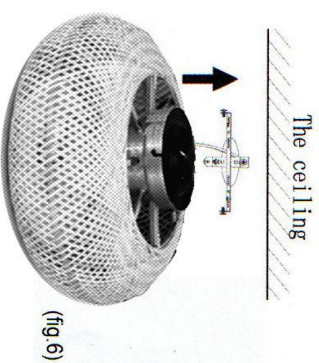


Installation

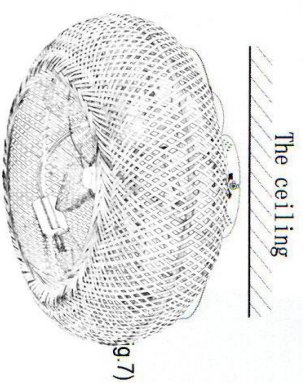
Step 1: Use the auxiliary mounting tool S-hook to hang the ceiling fan with light under the ceiling. (fig 4)



Step 3: Remove the S-shaped hook and snap the 7-shaped hole of the ceiling fan light holder onto the cross-hanging plate. (fig. 6)



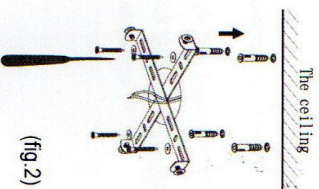
Step 4: Rotate the ceiling fan and snap the screws into the 7-shaped holes. (fig. 7)



Mounting options

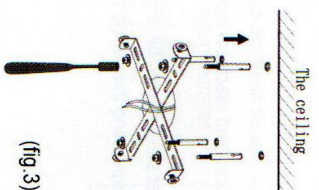
a : Wooden ceiling

If you have a wooden ceiling, use wood screws with a plastic expansion anchor. (fig. 2)



b : Concrete ceiling

If you have a concrete ceiling, use screws with lock washers. (fig. 3)

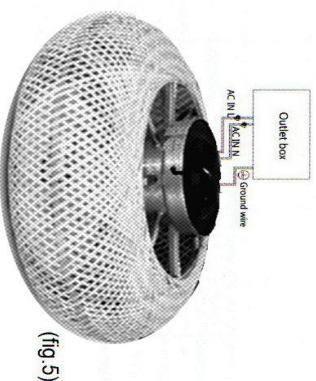


Step 2: Wiring (fig. 5)

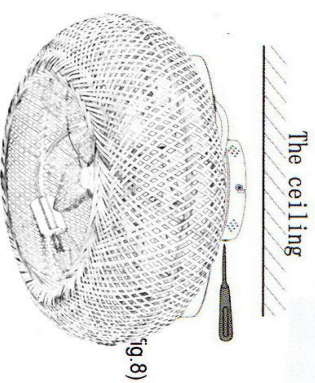
a. Connect the black live wire marked "L" on the receiver to the live wire (typically black) on the outlet box.

b. Connect the white neutral wire marked "N" on the receiver to the neutral wire (typically white) on the outlet box.

c. Connect the ground wire (bare wire) from the base of the ceiling fan base with the ground wire (bare wire) of the outlet box.



Step 5: Tighten the 4 screws to complete the installation. (fig. 8)



If you has any problem. Feel free to contact us:Email: 642673013@qq.com